

LAVATORY SUPPLY, PAIR
K-13711-P

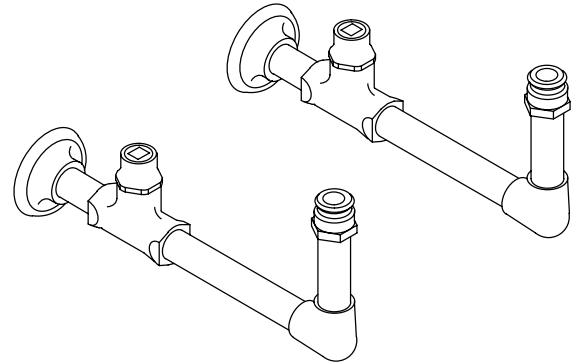
FEATURES

- Brass construction
- Compression valve
- Loose key stop
- Flange

CODES/STANDARDS APPLICABLE

Specified model meets or exceeds the following:

- ASME/ANSI A112.18.1M
- IAPMO/UPC



COLORS/FINISHES

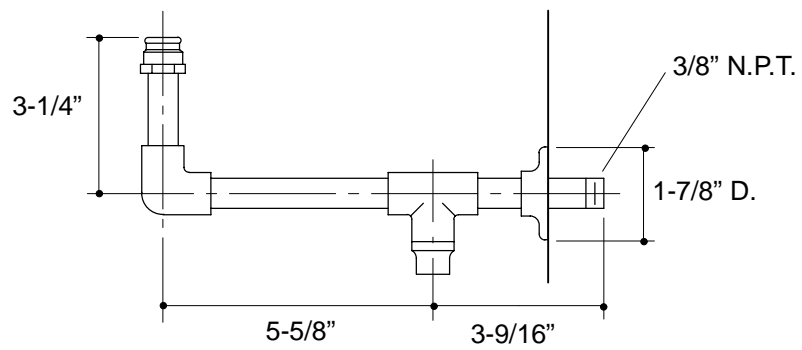
- CP Polished Chrome

SPECIFIED MODEL:

Model	Description	
K-13711-P	Lavatory Supply, Pair	<input type="checkbox"/> CP

PRODUCT SPECIFICATION:

Lavatory supply shall be of brass construction. Product shall feature a compression valve, loose key stop, flange, and N.P.T. connection. Lavatory supply (pair) shall be Kohler Model K-13711-P-CP.



PRODUCT DIAGRAM