

**KNEE CONTROL FITTING  
K-13715**

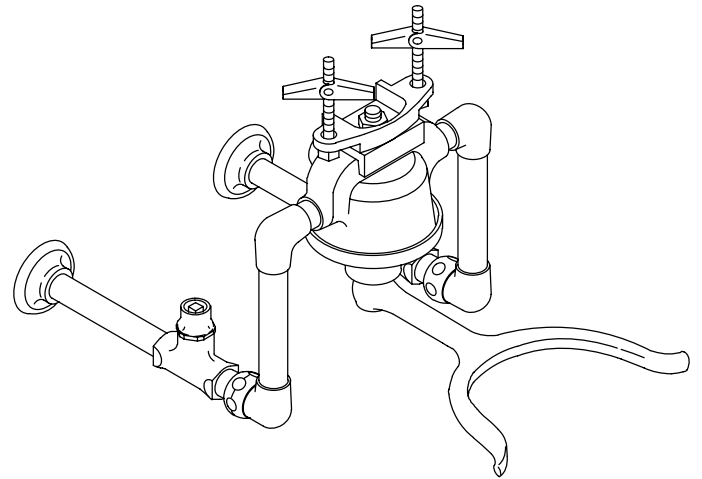
**FEATURES**

- Brass construction
- Niedecken mixer
- Stirrup handle
- Loose key stops
- Wall flanges

**CODES/STANDARDS APPLICABLE**

Specified model meets or exceeds the following:

- ASME/ANSI A112.18.1M



**COLORS/FINISHES**

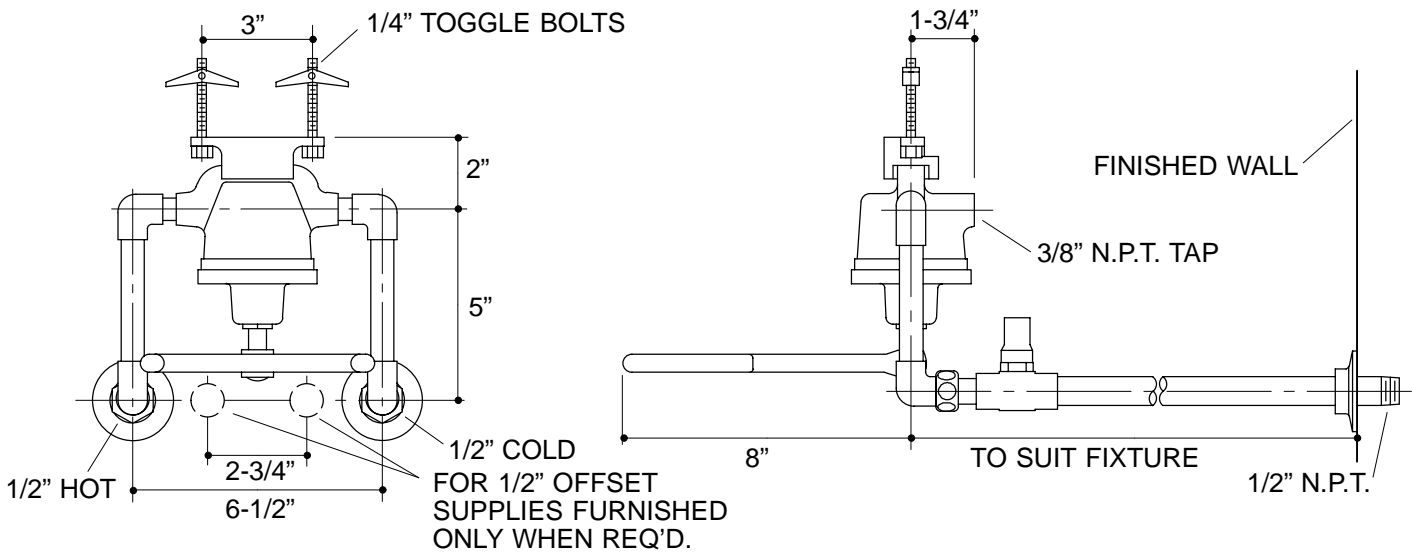
- CP Polished Chrome

**SPECIFIED MODEL:**

Model	For Fixture Similar To:	Size:	
K-13715-A	K-12643	20" x 18"	<input type="checkbox"/> CP
K-13715-B	K-12644	24" x 20"	<input type="checkbox"/> CP
	K-2053	20" x 18"	
K-13715-C	K-12793	28" x 22"	<input type="checkbox"/> CP
K-13715-D	K-12784	24" x 22"	<input type="checkbox"/> CP
	K-12781	30" x 22"	

**PRODUCT SPECIFICATION:**

Fixture-mount knee control fitting shall be of brass construction. Product shall feature a Niedecken mixer, stirrup handle, loose key stops, N.P.T. connections, and wall flanges. Product shall be Kohler Model K-13715-\_\_\_\_-CP.



316

## PRODUCT DIAGRAM