

**LAVATORY SUPPLY**  
**K-13717**

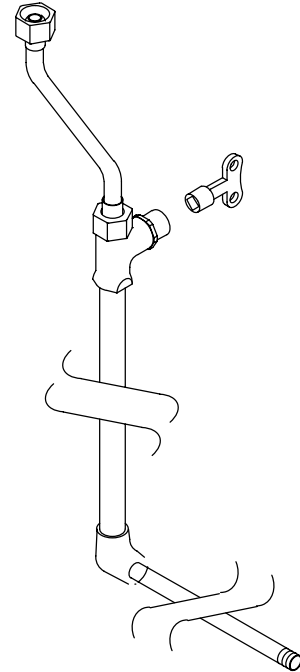
**FEATURES**

- Brass construction
- Compression valve
- Intended for right-drilled lavatory installations
- Delivers tempered water for floor-mount single or double foot control fittings
- Loose key volume regulator

**CODES/STANDARDS APPLICABLE**

Specified model meets or exceeds the following:

- ASME/ANSI A112.18.1M



**COLORS/FINISHES**

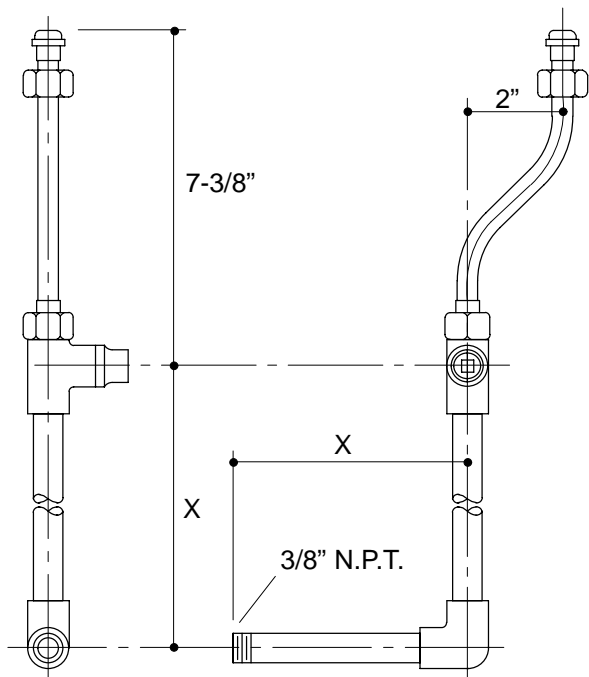
- CP Polished Chrome

**SPECIFIED MODEL:**

Model	For Fixture Similar To:	Size:	
K-13717-A	K-2212	17" x 14"	<input type="checkbox"/> CP
	K-2213	19" x 15"	
	K-2202	19"	
K-13717-B	K-2025	18" x 15"	<input type="checkbox"/> CP
K-13717-C	K-2863	19" x 17"	<input type="checkbox"/> CP
	K-2030	20" x 18"	
	K-2869	20" x 18"	
K-13717-D	K-2053	20" x 18"	<input type="checkbox"/> CP

**PRODUCT SPECIFICATION:**

Lavatory supply shall be of brass construction. Supply is intended for right-drilled lavatory installations, and shall deliver tempered water for floor-mount single and double foot control fittings. Product shall include compression valve, loose key volume regulator, and N.P.T. connection. Product shall be Kohler Model K-13717-\_\_\_\_-CP.



<b>Roughing-In Notes</b>
X = To suit fixture

**PRODUCT DIAGRAM**