

LAVATORY OR SINK SUPPLY
K-13722

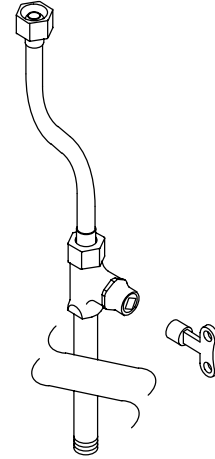
FEATURES

- Brass construction
- Compression valve
- Intended for right-drilled lavatory or sink installations
- Delivers tempered water for wall-mount single or double foot control fittings
- Loose key volume regulator

CODES/STANDARDS APPLICABLE

Specified model meets or exceeds the following:

- ASME/ANSI A112.18.1M



COLORS/FINISHES

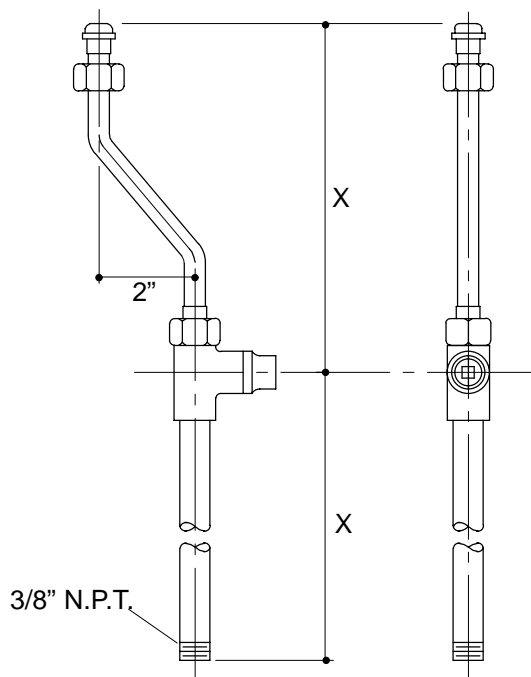
- CP Polished Chrome

SPECIFIED MODEL:

Model	For Fixture Similar To:	Size:	
K-13722-A	K-2212	17" x 14"	☐CP
	K-2202	19"	
	K-2917	19"	
	K-2023	18" x 15"	
	K-2213	19" x 15"	
	K-2863	19" x 17"	
	K-2030	20" x 18"	
	K-2053	20" x 18"	
	K-2869	20" x 18"	
	K-2895	21" x 19"	
K-2038	24" x 20"		
K-13722-B	K-6552	13" x 13"	☐CP
	K-6550	18" x 12"	
	K-6551	24" x 18"	
	K-6553	30" x 18"	
	K-5959	24" x 21"	
	K-5960	30" x 21"	
	K-6757	24" x 21"	

PRODUCT SPECIFICATION:

Lavatory or sink supply shall be of brass construction. Supply is intended for right-drilled lavatory or sink installations, and shall deliver tempered water for wall-mount single and double foot control fittings. Product shall include compression valve, loose key volume regulator, and N.P.T. connection. Product shall be Kohler Model K-13722-____-CP.



Roughing-In Notes
X = To suit fixture

PRODUCT DIAGRAM