

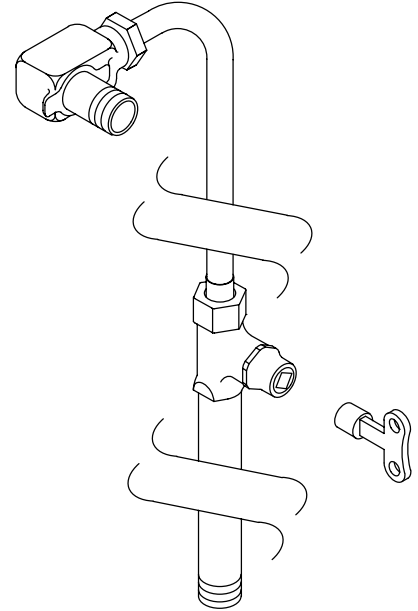
**FEATURES**

- Brass construction
- Compression valve
- Intended for center-drilled sinks with spout installations
- Delivers tempered water for wall-mount single and double foot control fittings
- Loose key volume regulator

**CODES/STANDARDS APPLICABLE**

Specified model meets or exceeds the following:

- ASME/ANSI A112.18.1M



**COLORS/FINISHES**

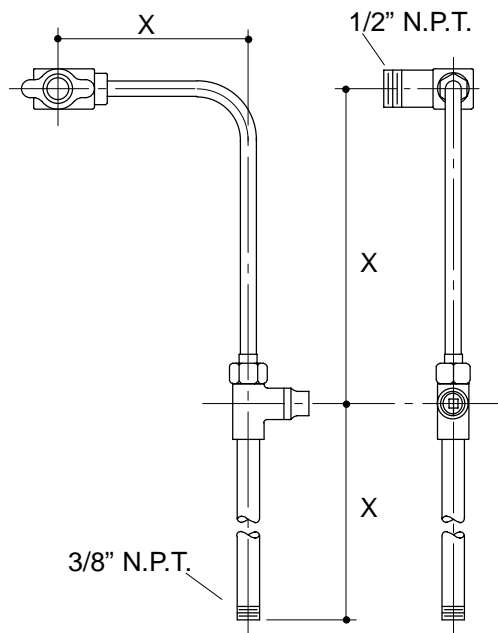
- CP Polished Chrome

**SPECIFIED MODEL:**

Model	For Fixture Similar To:	Size:	
K-13724-A	K-3200	36"	<input type="checkbox"/> CP
K-13724-B	K-6714	22" x 18"	<input type="checkbox"/> CP
	K-6716	24" x 20"	
K-13724-C	K-12784	24" x 22"	<input type="checkbox"/> CP
	K-12781	30" x 22"	

**PRODUCT SPECIFICATION:**

Sink supply shall be of brass construction. Supply is intended for center-drilled sink with spout installations, and shall deliver tempered water for wall-mount single and double foot control fittings. Product shall include compression valve, loose key volume regulator, and N.P.T. connections. Product shall be Kohler Model K-13724-\_\_\_\_-CP.



<b>Roughing-In Notes</b>
X = To suit fixture

**PRODUCT DIAGRAM**