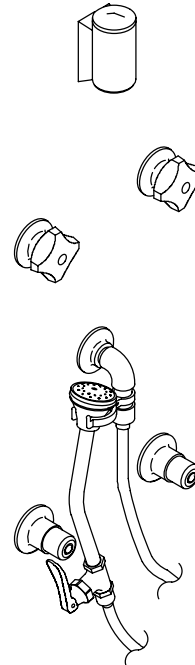


**BUILT-IN BEDPAN WASHER
K-13930-2A**

FEATURES

- Brass construction
- Brass valve bodies
- Quarter-turn washerless ceramic disc valves
- Standard handles
- Standard sprayhead
- Elevated vacuum breaker
- Vinyl hose
- Screwdriver check stops
- Self-closing lever control spray and hook



CODES/STANDARDS APPLICABLE

Specified model meets or exceeds the following:

- ASME/ANSI A112.18.1M
- NSF 14

COLORS/FINISHES

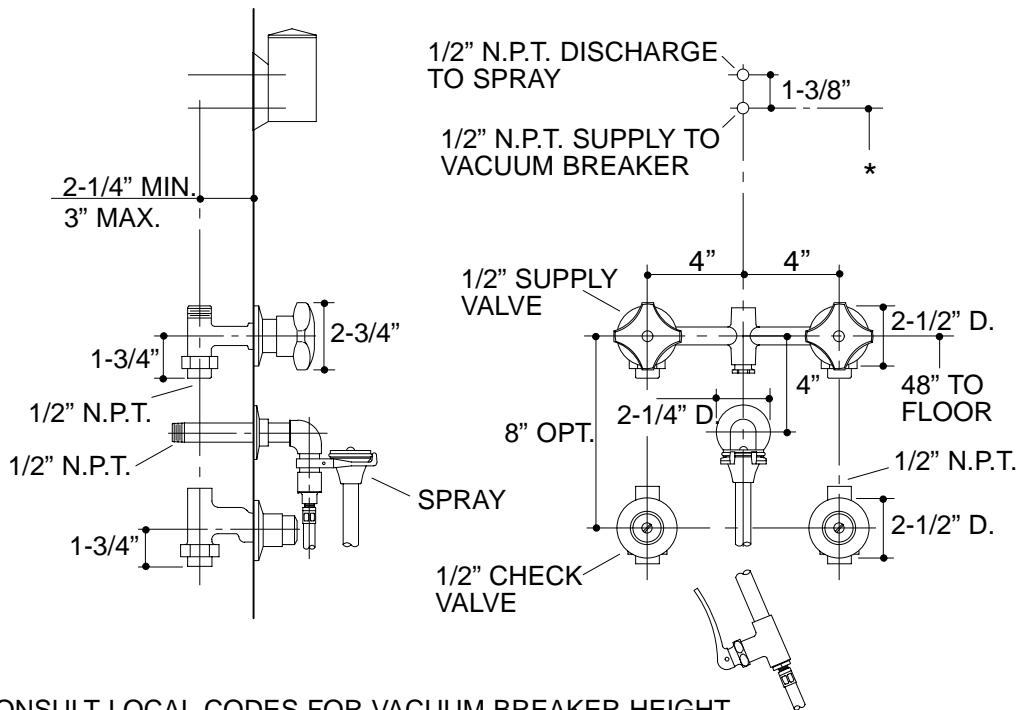
- CP Polished Chrome

SPECIFIED MODEL:

Model	Description	
K-13930-2A	Triton Built-In Bedpan Washer	<input type="checkbox"/> CP

PRODUCT SPECIFICATION:

Built-in bedpan washer shall be of brass construction. Faucet shall feature brass valve bodies. Faucet shall feature quarter-turn washerless ceramic disc valves, assuring positive handle stop positioning. Product shall include standard handles, standard sprayhead, elevated vacuum breaker, vinyl hose, screwdriver check stops, self-closing lever control spray and hook, and internal N.P.T. connections. Faucet shall be Kohler Model K-13930-2A-CP.



* CONSULT LOCAL CODES FOR VACUUM BREAKER HEIGHT.

PRODUCT DIAGRAM