

**BUILT-IN BEDPAN WASHER
K-13932-2A**

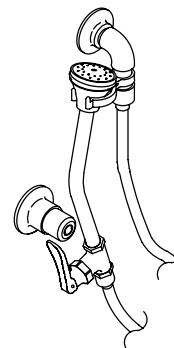
FEATURES

- Brass construction
- Brass valve body
- Quarter-turn washerless ceramic disc valve
- Standard handle
- Standard sprayhead
- Elevated vacuum breaker
- Vinyl hose
- Screwdriver check stop
- Self-closing lever control spray and hook

CODES/STANDARDS APPLICABLE

Specified model meets or exceeds the following:

- ASME/ANSI A112.18.1M
- NSF 14



COLORS/FINISHES

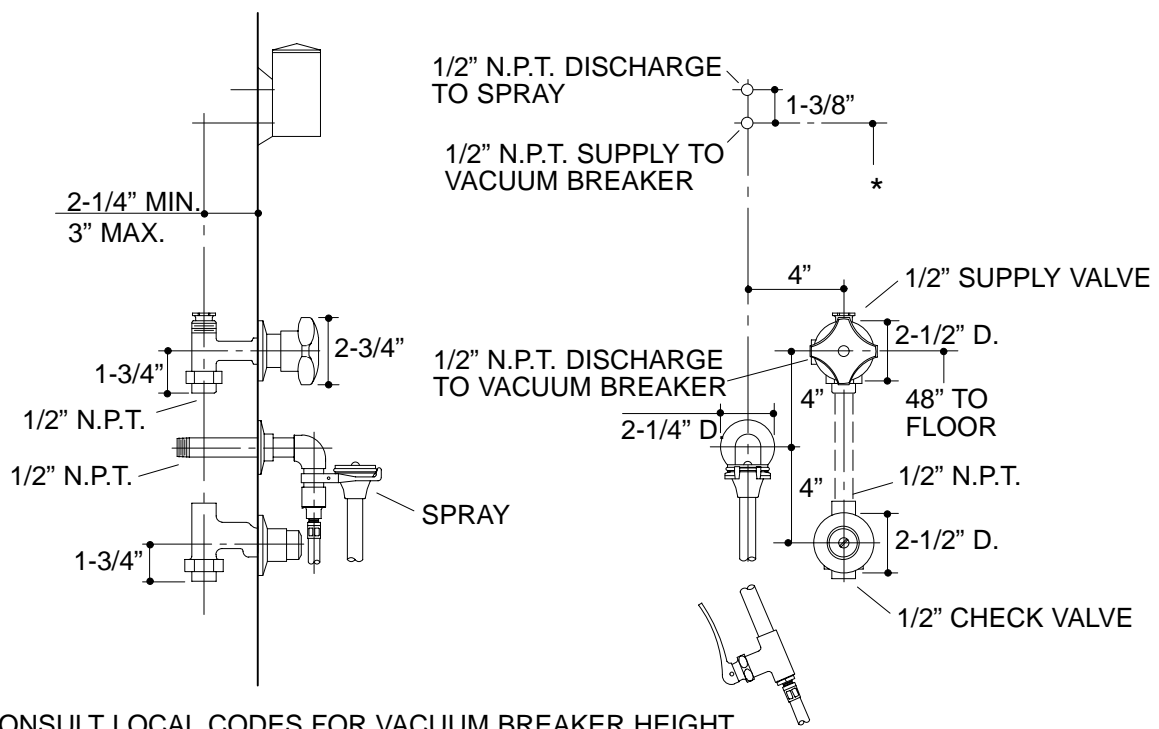
- CP Polished Chrome

SPECIFIED MODEL:

Model	Description	
K-13932-2A	Triton Built-In Bedpan Washer	<input type="checkbox"/> CP

PRODUCT SPECIFICATION:

Built-in bedpan washer shall be of brass construction. Faucet shall feature a brass valve body. Faucet shall also feature a quarter-turn washerless ceramic disc valve, assuring positive handle stop positioning. Product shall include standard handle, standard sprayhead, elevated vacuum breaker, vinyl hose, screwdriver check stop, self-closing lever control spray and hook, and internal N.P.T. connection. Faucet shall be Kohler Model K-13932-2A-CP.



* CONSULT LOCAL CODES FOR VACUUM BREAKER HEIGHT.

PRODUCT DIAGRAM