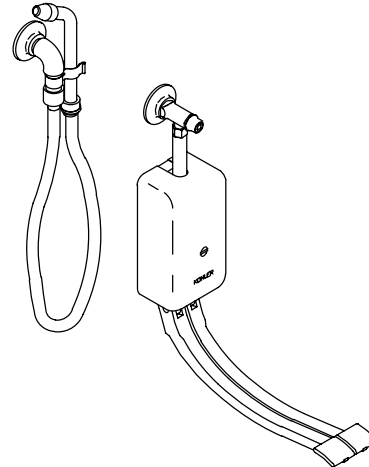


**BEDPAN WASHER  
K-13960**

**FEATURES**

- Brass construction
- Double foot control mixing valve with integral stops
- Outlet to wall with volume control
- Self-closing hinged pedal action
- Elevated vacuum breaker
- Hose with angle spray nozzle
- Insulated handle and spray hook



**CODES/STANDARDS APPLICABLE**

Specified model meets or exceeds the following:

- ASME/ANSI A112.18.1M
- ASSE 1001
- IAPMO/UPC

**COLORS/FINISHES**

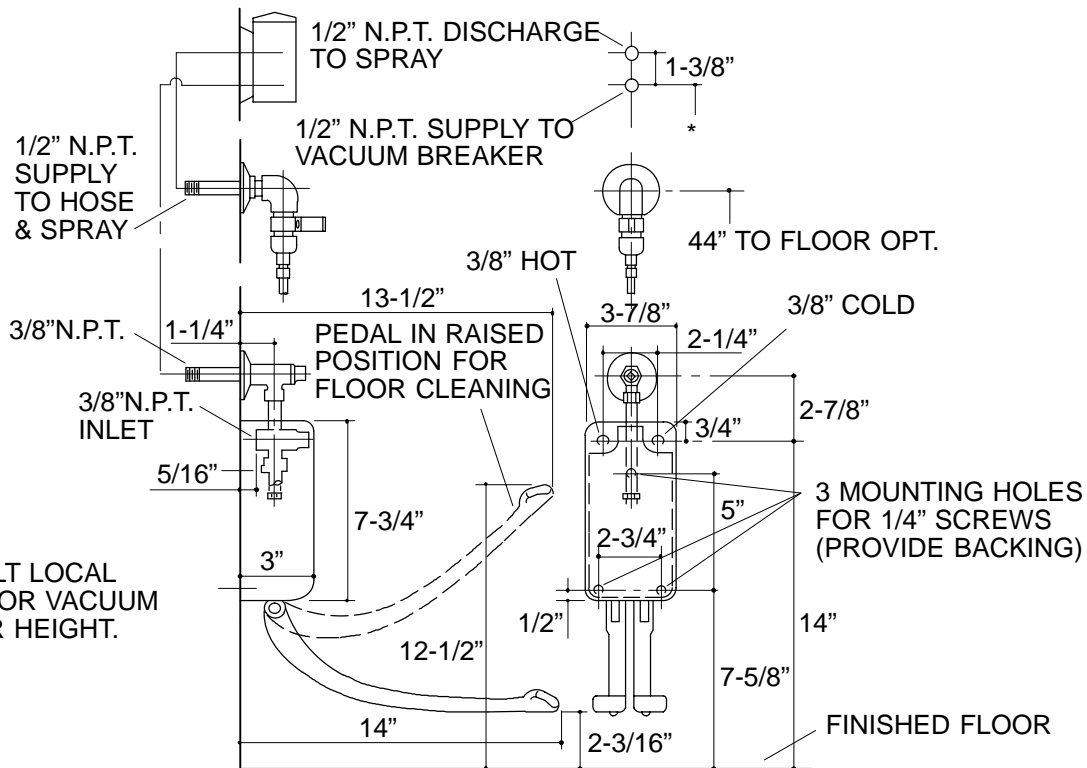
- CP Polished Chrome

**SPECIFIED MODEL:**

Model	Description	
K-13960	Bedpan Washer	<input type="checkbox"/> CP

**PRODUCT SPECIFICATION:**

Bedpan washer shall be of brass construction. Faucet shall feature double foot control mixing valve with integral stops, outlet to wall with volume control, self-closing hinged pedal action, elevated vacuum breaker, hose with angle spray nozzle, and insulated handle and spray hook. Faucet shall be Kohler Model K-13960-CP.



18

**PRODUCT DIAGRAM**