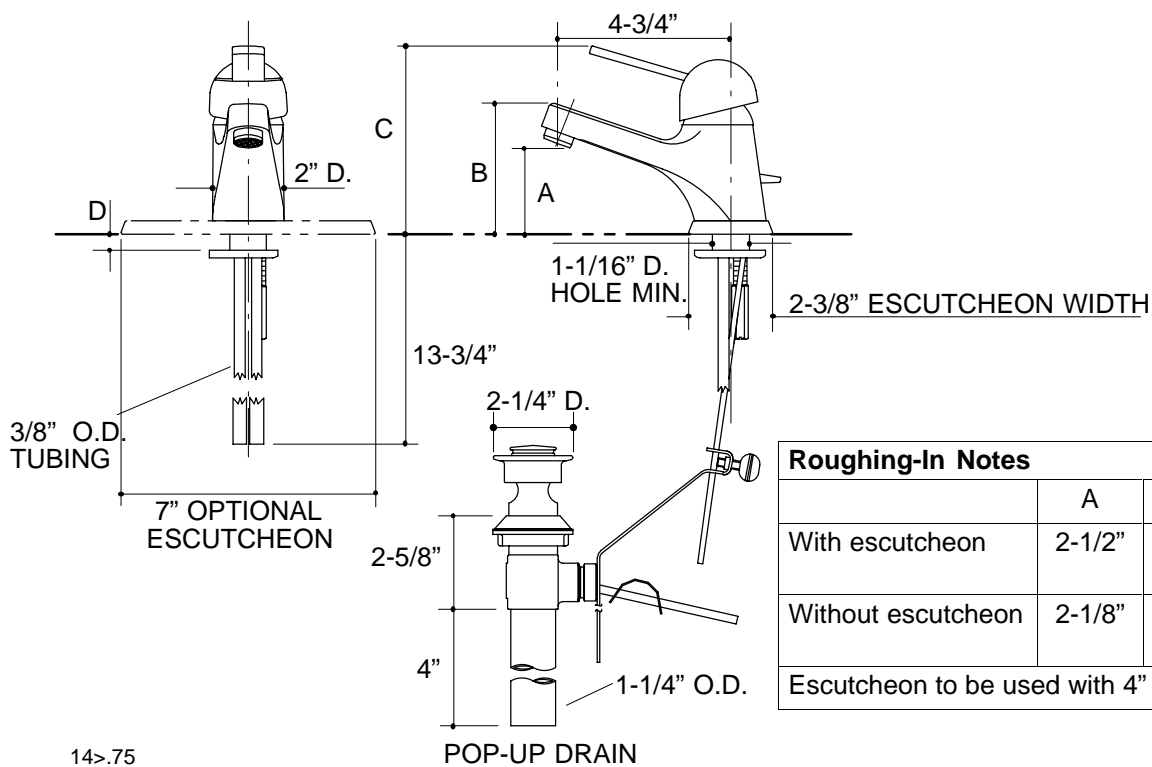


Ordering Information

Applicable faucet:	
With drain	K-14516
Accessories/hardware:	
Escutcheon	K-14530
ADA Lever handle is ADA compliant	



Roughing-In Notes				
	A	B	C	D
With escutcheon	2-1/2"	3-5/8"	5-3/8"	1-5/8" MAX.
Without escutcheon	2-1/8"	3-1/4"	5"	2" MAX.
Escutcheon to be used with 4" hole centers only.				

14>.75

POP-UP DRAIN

K-14516 Paladar™ Lavatory Faucet
115298-1-AA (9619)

KOHLER®

NOTES: