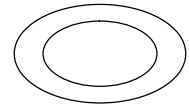
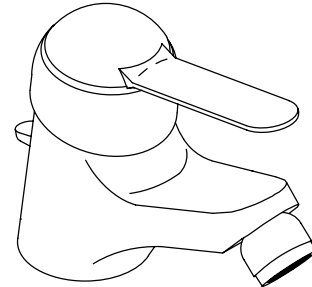


FEATURES

- Brass construction
- Single-hole mounting
- One-piece self-contained ceramic disc valve allows both volume and temperature control
- Temperature memory allowing faucet to be turned on and off at any temperature setting
- Swivel spray spout
- Pop-up drain with lift rod and tailpiece
- Lever handle
- Optional escutcheon plate is available for 4" centerset installations

ADA



CODES/STANDARDS APPLICABLE

Specified model meets or exceeds the following:

- ASME/ANSI A112.18.1M
- IAPMO/UPC

COLORS/FINISHES

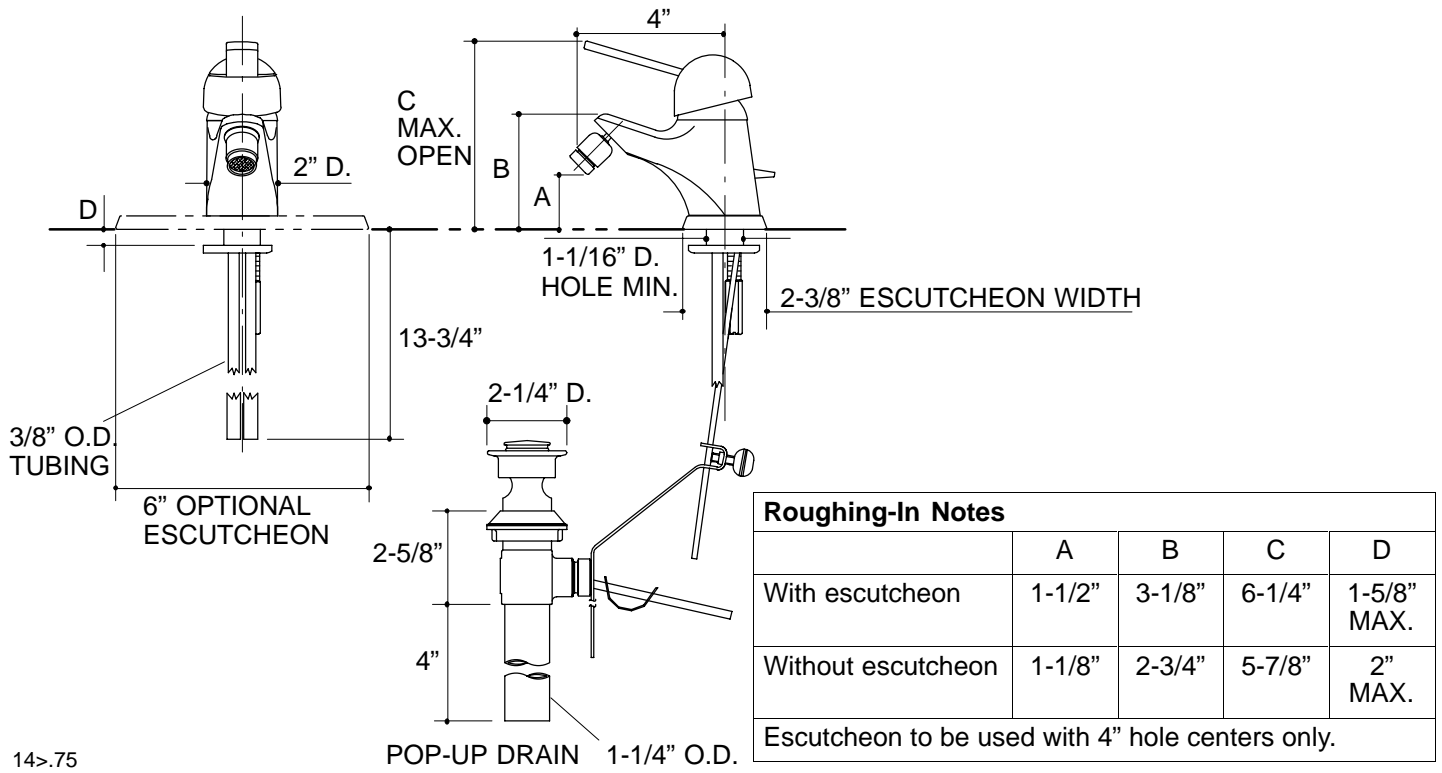
- CP Polished Chrome
- PB Polished Brass
- Other Refer to Faucets Price Book for additional finishes

SPECIFIED MODEL:

Model	Description			
K-14532	Paladar Single-Control Bidet Faucet	<input type="checkbox"/> CP	<input type="checkbox"/> PB	<input type="checkbox"/> Other_____

Optional Accessory				
K-14531	6" Escutcheon Plate for 4" Centerset Installations	<input type="checkbox"/> CP	<input type="checkbox"/> PB	<input type="checkbox"/> Other_____

PRODUCT SPECIFICATION:
 Single-control bidet faucet shall be of brass construction. The valve shall be a one-piece, self-contained ceramic disc valve, and allows both volume and temperature control. The valve shall feature temperature memory, allowing the faucet to be turned on and off at any temperature setting. Product shall include single-hole mounting, swivel spray spout, pop-up drain with lift rod and tailpiece, and lever handle. Faucet shall be Kohler Model K-14532-_____.



14>.75

PRODUCT DIAGRAM