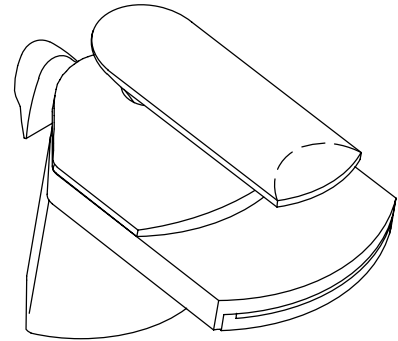


**LAVATORY AND BIDET FAUCET
K-15000**

FEATURES

- Brass construction
- Single-hole mounting
- One-piece self-contained ceramic disc valve allows both volume and temperature control
- Temperature memory allowing faucet to be turned on and off at any temperature setting
- Intended for Trocadero lavatory and bidet installations
- 4-1/8" sheetflow spout
- 2.0 gallons per minute
- Pop-up drain with lift rod and tailpiece
- Lever handle

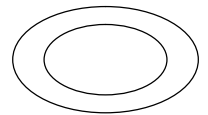


ADA

CODES/STANDARDS APPLICABLE

Specified model meets or exceeds the following:

- ASME/ANSI A112.18.1M
- Energy Policy Act of 1992
- IAPMO/UPC
- NSF 61



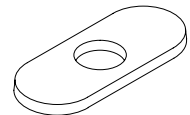
COLORS/FINISHES

- CP Polished Chrome

SPECIFIED MODEL:

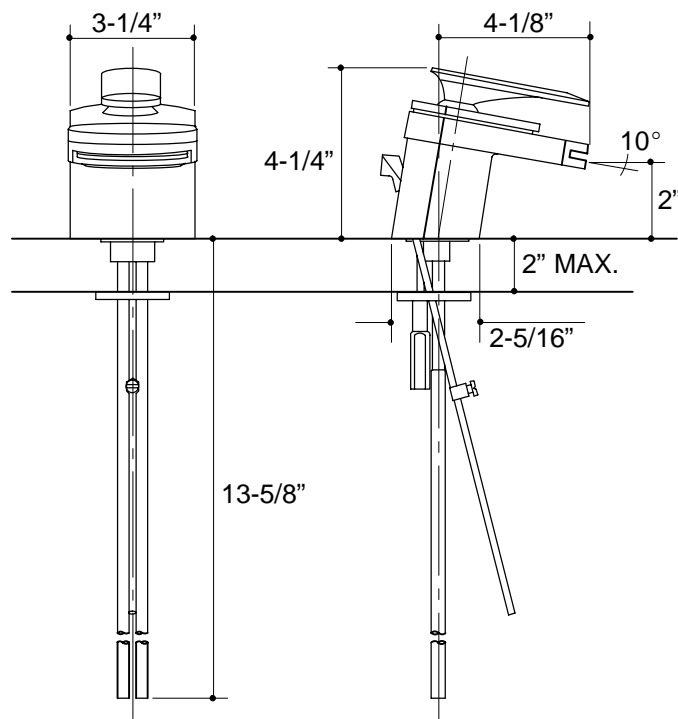
Model	Description	
K-15000	Trocadero Lavatory and Bidet Faucet	<input type="checkbox"/> CP

Optional Accessory		
K-167	6" Escutcheon Plate	<input type="checkbox"/> CP



PRODUCT SPECIFICATION:

Single-control lavatory and bidet faucet shall be of brass construction. The valve shall be a one-piece, self-contained ceramic disc valve, and allows both volume and temperature control. The valve shall feature temperature memory, allowing the faucet to be turned on and off at any temperature setting. Product shall include single-hole mounting, 4-1/8" sheetflow spout, pop-up drain with lift rod and tailpiece, and lever handle. Product is intended for Trocadero lavatory and bidet installations. Faucet shall be Kohler Model K-15000-CP.



.8<14

PRODUCT DIAGRAM