

**BATH AND SHOWER FAUCET
K-15102-7**

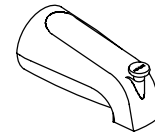
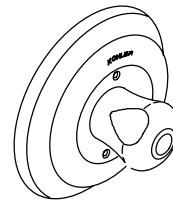
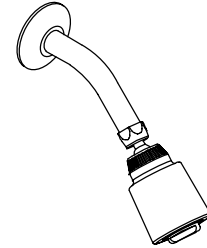
FEATURES

- Metal construction
- Brass valve body
- Rite-Temp pressure-balancing diaphragm design valve
- Pressure-balancing mechanism of one-piece diaphragm cartridge design for ease of maintenance
- High-temperature limit stop
- Mixing valve cycles from “cold” to “hot”
- 4-7/8” diverter bath spout with N.P.T. or slip-fit connection
- Sculptured acrylic handle

CODES/STANDARDS APPLICABLE

Specified model meets or exceeds the following:

- ASME/ANSI A112.18.1M
- ASSE/ANSI 1016
- Canadian Standards Association (CSA)
- IAPMO/UPC
- NSF 14

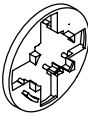


COLORS/FINISHES

- CP Polished Chrome
- PB Polished Brass
- Other Refer to Faucets Price Book for additional finishes

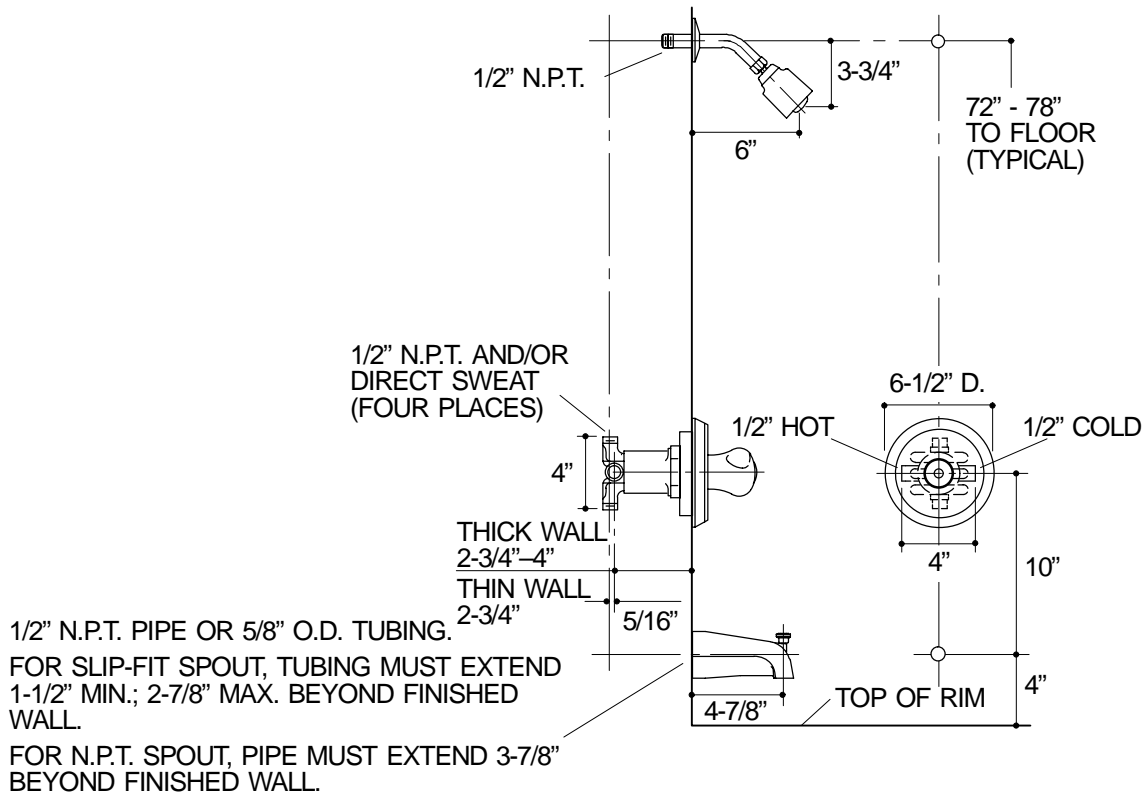
SPECIFIED MODEL:

Model	Description			
K-15102-7	With N.P.T. Diverter Bath Spout	<input type="checkbox"/> CP	<input type="checkbox"/> PB	
K-15102-7S	With Slip-Fit Diverter Bath Spout	<input type="checkbox"/> CP	<input type="checkbox"/> PB	<input type="checkbox"/> Other_____

Optional Accessory		
K-15145	Fiberglass Installation Plate	 <input type="checkbox"/> NA

PRODUCT SPECIFICATION:

Rite-Temp pressure-balancing single-control bath and shower faucet shall be of metal construction. Faucet shall feature a brass valve body. The valve shall mix the water from the “off” position, through the “cold” to the “hot”, and includes a high-temperature limit stop. The pressure-balancing mechanism shall be of one-piece diaphragm cartridge design for ease of maintenance. Product shall include showerhead with arm and flange, faceplate with sculptured acrylic handle, and 4-7/8” diverter bath spout with N.P.T. or slip-fit connection. Faucet shall be Kohler Model K-15102-_____-_____.



332

PRODUCT DIAGRAM