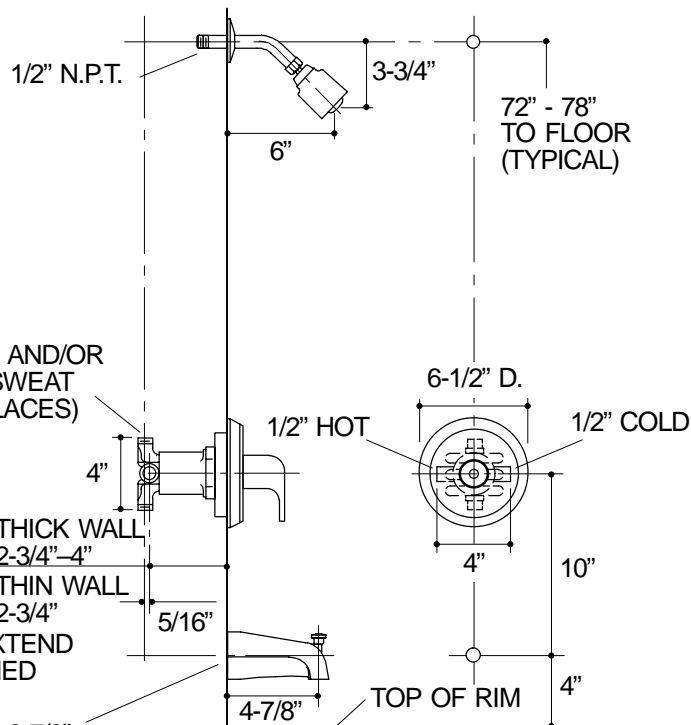


**Ordering Information**

Applicable product less screwdriver stops:	
Bath and shower with N.P.T. spout	K-15106-4
Bath and shower with slip-fit spout	K-15106-4S
<b>ADA</b> Lever handle is ADA compliant	



1/2" N.P.T. PIPE OR 5/8" O.D. TUBING.  
FOR SLIP-FIT SPOUT, TUBING MUST EXTEND  
1-1/2" MIN.; 2-7/8" MAX. BEYOND FINISHED  
WALL.  
FOR N.P.T. SPOUT, PIPE MUST EXTEND 3-7/8"  
BEYOND FINISHED WALL.

332