

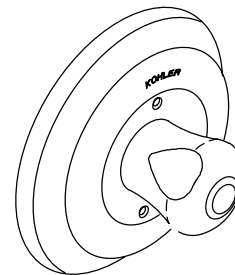
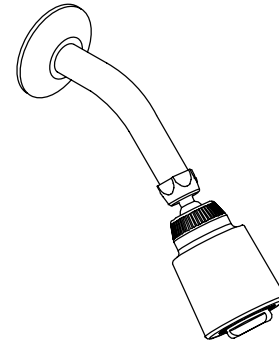
**FEATURES**

- Metal construction
- Brass valve body
- High-temperature limit stop
- Mixing valve cycles from “cold” to “hot”
- Sculptured acrylic handle

**CODES/STANDARDS APPLICABLE**

Specified model meets or exceeds the following:

- ASME/ANSI A112.18.1M
- Canadian Standards Association (CSA)
- IAPMO/UPC
- NSF 14

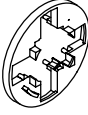


**COLORS/FINISHES**

- CP Polished Chrome
- PB Polished Brass

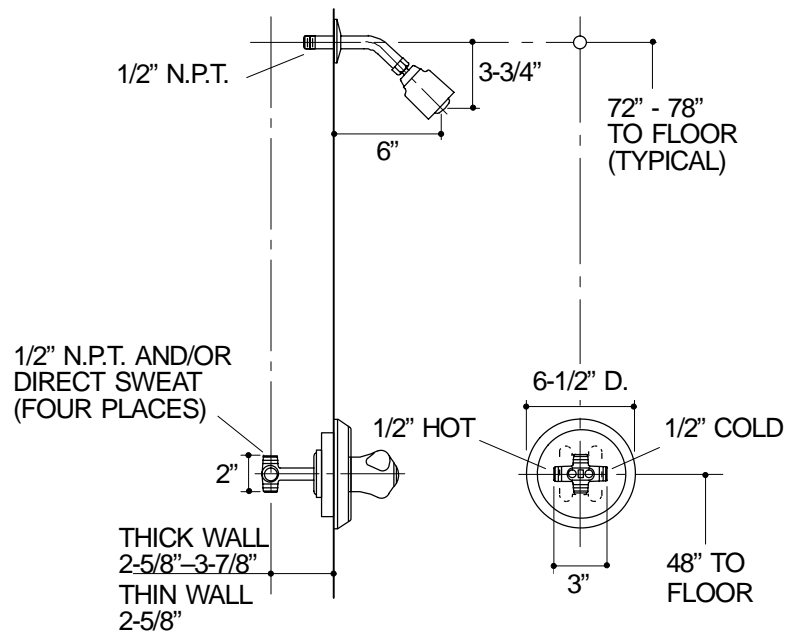
**SPECIFIED MODEL:**

Model	Description		
K-15110-7	Coralais Shower Faucet	<input type="checkbox"/> CP	<input type="checkbox"/> PB

Optional Accessory		
K-15145	Fiberglass Installation Plate	 <input type="checkbox"/> NA

**PRODUCT SPECIFICATION:**

Non-pressure balancing single-control shower faucet shall be of metal construction. Faucet shall feature a brass valve body. The valve shall mix the water from the “off” position, through the “cold” to the “hot”, and includes a high-temperature limit stop. Product shall include showerhead with arm and flange, and faceplate with sculptured acrylic handle. Faucet shall be Kohler Model K-15110-7-\_\_\_\_\_.



**PRODUCT DIAGRAM**