

SHOWER FAUCET TRIM
K-T15111
ALSO K-15701

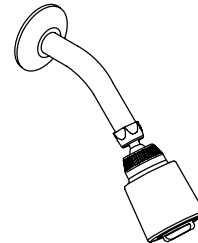
FEATURES

- Metal construction
- Available with lever or sculptured acrylic handle

CODES/STANDARDS APPLICABLE

Specified model meets or exceeds the following:



- ASME/ANSI A112.18.1M
- ASSE/ANSI 1016
- CSA B125
- IAPMO/UPC

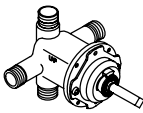
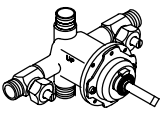


COLORS/FINISHES

- CP Polished Chrome
- PB Polished Brass
- Other Refer to Faucets Price Book for additional finishes

SPECIFIED MODEL: For complete faucet, both faucet trim and Rite-Temp valve must be specified.

Model	Description	 <input type="checkbox"/> ADA					
K-T15111-4	With Lever Handle	<input type="checkbox"/> CP	<input type="checkbox"/> PB	<input type="checkbox"/> Other_____			
K-T15111-7	With Sculptured Acrylic Handle				<input type="checkbox"/> CP	<input type="checkbox"/> PB	<input type="checkbox"/> Other_____

Required Accessory			
K-15701-K	Coralais Rite-Temp Pressure-Balancing Valve, Less Stops	<input type="checkbox"/> NA	
K-15701-KS	Coralais Rite-Temp Pressure-Balancing Valve, With Stops		<input type="checkbox"/> NA

Optional Accessory on Page 2.

PRODUCT SPECIFICATION:

Rite-Temp pressure-balancing single-control shower faucet trim shall be of metal construction. Product shall include showerhead with arm and flange, and faceplate with handle. Faucet trim shall be Kohler Model K-T15111-_____-_____- and Rite-Temp valve shall be Kohler Model K-15701-_____-NA.

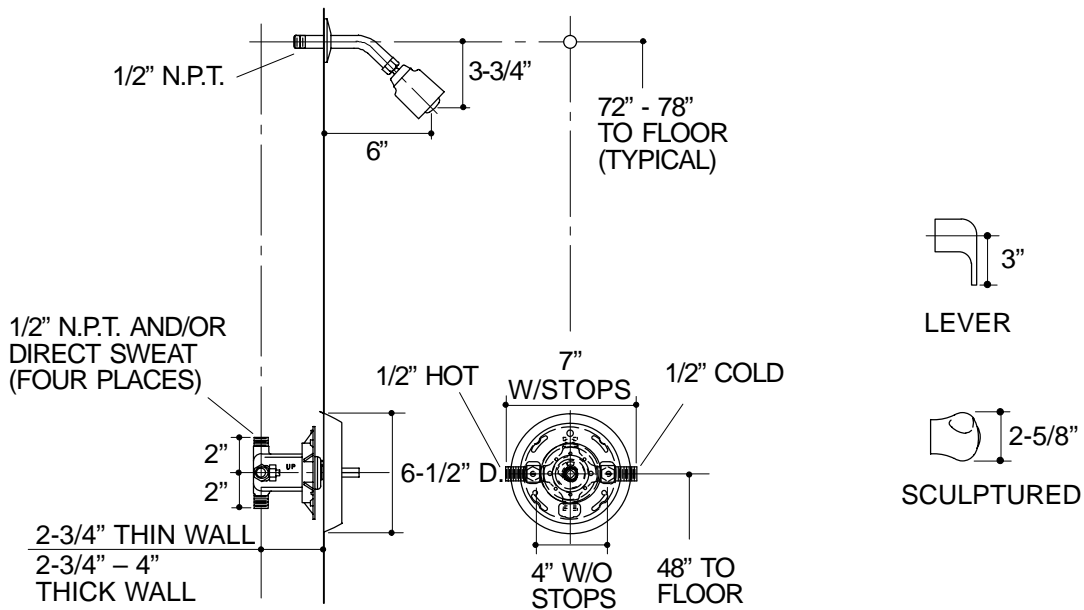
CORALAIS™

INSTALLATION NOTES

Avoid cross-flow conditions. Do not install shut-off device on either valve outlet.

Cap shower outlet if deck-mount spout, diverter, or handshower is connected to spout outlet.

Install straight pipe or tube drop of 7 to 18" with single elbow between valve and wall-mount spout.



332

PRODUCT DIAGRAM