

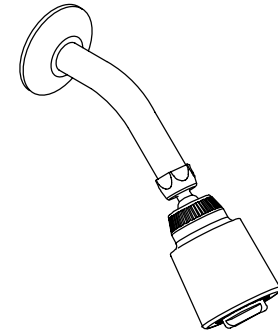
FEATURES

- Metal construction
- Brass valve body
- High-temperature limit stop
- Mixing valve cycles from “cold” to “hot”
- Lever handle

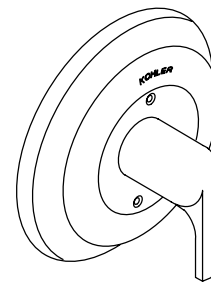
CODES/STANDARDS APPLICABLE

Specified model meets or exceeds the following:

- ASME/ANSI A112.18.1M
- Canadian Standards Association (CSA)
- IAPMO/UPC
- NSF 14



ADA

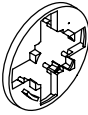


COLORS/FINISHES

- CP Polished Chrome

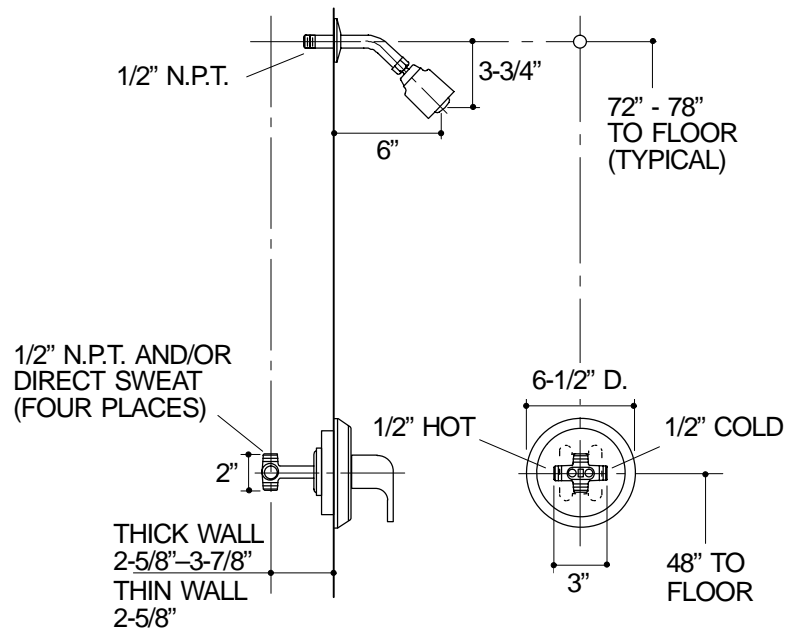
SPECIFIED MODEL:

Model	Description	
K-15114-4	Coralais Shower Faucet	<input type="checkbox"/> CP

Optional Accessory		
K-15145	Fiberglass Installation Plate	<input type="checkbox"/> NA

PRODUCT SPECIFICATION:

Non-pressure balancing single-control shower faucet shall be of metal construction. Faucet shall feature a brass valve body. The valve shall mix the water from the “off” position, through the “cold” to the “hot”, and includes a high-temperature limit stop. Product shall include showerhead with arm and flange, and faceplate with lever handle. Faucet shall be Kohler Model K-15114-4-CP.



332

PRODUCT DIAGRAM