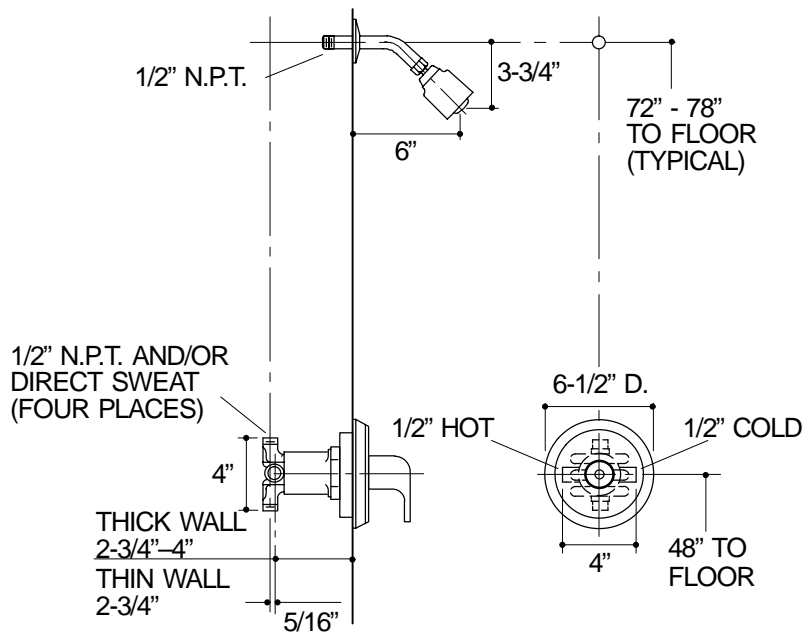


**Ordering Information**

Applicable product less screwdriver stops:	
Shower faucet	K-15115-4
<b>ADA</b>	Lever handle is ADA compliant



332

**K-15115-4** Coralais™ Shower Faucet  
 115326-1-AA (9619)

**NOTES:**