

SHOWER FAUCET
K-15141
ALSO K-15143

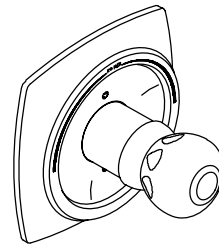
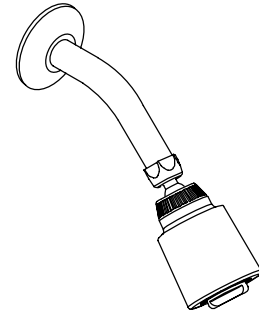
FEATURES

- Metal construction
- Brass valve body
- One-piece self-contained valve cartridge allows both volume and temperature control
- Temperature memory allowing faucet to be turned on and off at any temperature setting
- Pressure-balancing mechanism of one-piece diaphragm cartridge design for ease of maintenance
- Sculptured acrylic handle
- Available with or without screwdriver stops

CODES/STANDARDS APPLICABLE

Specified model meets or exceeds the following:

- ASME/ANSI A112.18.1M
- CSA B125
- IAPMO/UPC



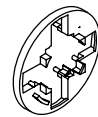
COLORS/FINISHES

- CP Polished Chrome
- PB Polished Brass

SPECIFIED MODEL:

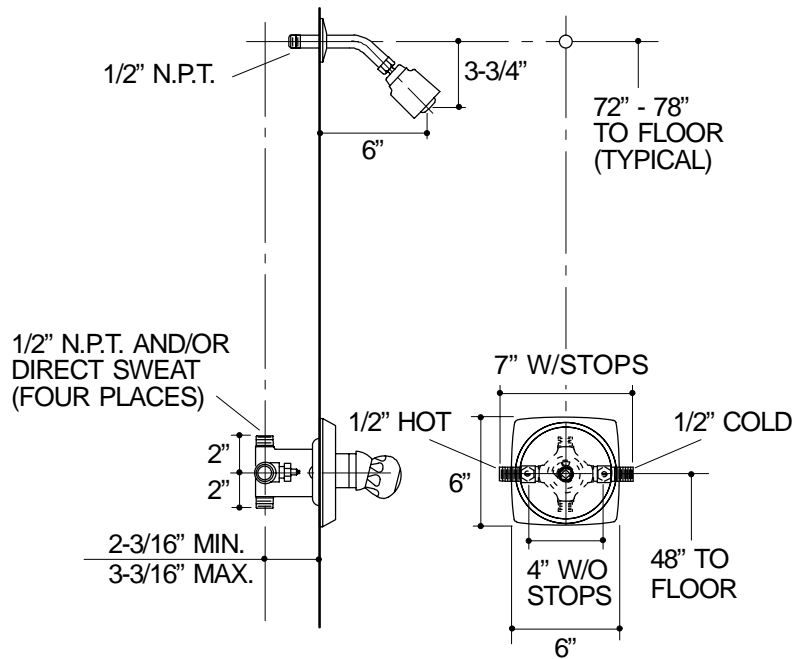
| Model | Description | | |
|---------|------------------------|-----------------------------|-----------------------------|
| K-15141 | Less Screwdriver Stops | <input type="checkbox"/> CP | <input type="checkbox"/> PB |
| K-15143 | With Screwdriver Stops | <input type="checkbox"/> CP | <input type="checkbox"/> PB |

| Optional Accessory | | |
|--------------------|-------------------------------|-----------------------------|
| K-15145 | Fiberglass Installation Plate | <input type="checkbox"/> NA |



PRODUCT SPECIFICATION:

Pressure-balancing single-control shower faucet shall be of metal construction. Faucet shall feature a brass valve body. Valve shall be a one-piece, self-contained diaphragm cartridge, and allows both volume and temperature control. The valve shall feature temperature memory, allowing the faucet to be turned on and off at any temperature setting. The pressure-balancing mechanism shall be of one-piece diaphragm cartridge design for ease of maintenance. Product shall include a showerhead with arm and flange, and faceplate with sculptured acrylic handle. Optional feature shall be with or without screwdriver stops. Faucet shall be Kohler Model K-_____ -_____.



332

PRODUCT DIAGRAM