

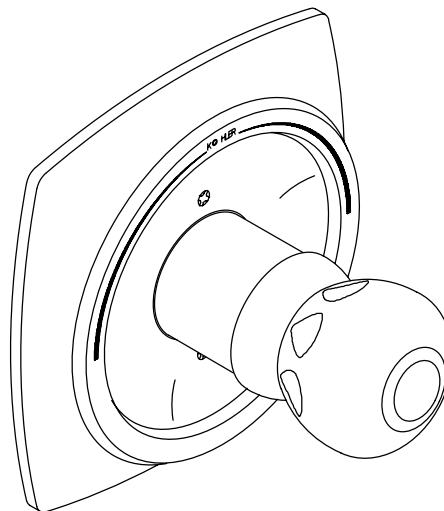
FEATURES

- Metal construction
- Brass valve body
- One-piece self-contained valve cartridge allows both volume and temperature control
- Temperature memory allowing faucet to be turned on and off at any temperature setting
- Sculptured acrylic handle
- Available with or without screwdriver stops

CODES/STANDARDS APPLICABLE

Specified model meets or exceeds the following:

- ASME/ANSI A112.18.1M
- CSA B125



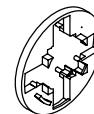
COLORS/FINISHES

- CP Polished Chrome

SPECIFIED MODEL:

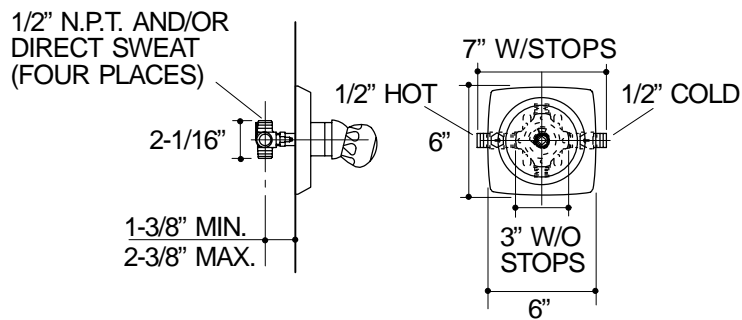
Model	Description	
K-15152	Less Screwdriver Stops	<input type="checkbox"/> CP
K-15154	With Screwdriver Stops	<input type="checkbox"/> CP

Optional Accessory		
K-15145	Fiberglass Installation Plate	<input type="checkbox"/> NA



PRODUCT SPECIFICATION:

Non-pressure balancing single-control valve shall be of metal construction. Faucet shall feature a brass valve body. The valve shall be a one-piece, self-contained valve cartridge, and allows both volume and temperature control. The valve shall feature temperature memory, allowing the faucet to be turned on and off at any temperature setting. Product shall include faceplate with sculptured acrylic handle. Optional feature shall be with or without screwdriver stops. Faucet shall be Kohler Model K-_____-CP.



PRODUCT DIAGRAM