

**VALVE**  
**K-15153**  
**ALSO K-15155**

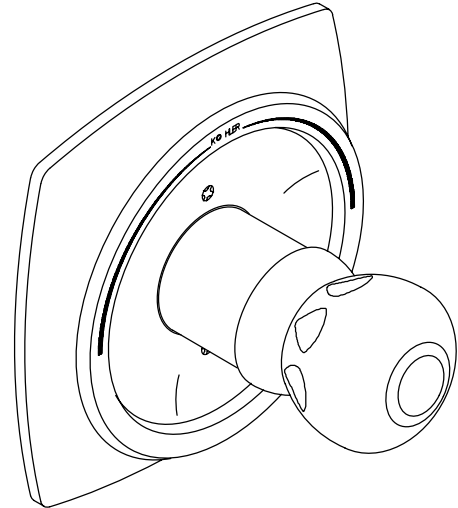
**FEATURES**

- Metal construction
- Brass valve body
- One-piece self-contained valve cartridge allows both volume and temperature control
- Temperature memory allowing faucet to be turned on and off at any temperature setting
- Pressure-balancing mechanism of one-piece diaphragm cartridge design for ease of maintenance
- Sculptured acrylic handle
- Available with or without screwdriver stops

**CODES/STANDARDS APPLICABLE**

Specified model meets or exceeds the following:

- ASME/ANSI A112.18.1M
- CSA B125



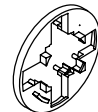
**COLORS/FINISHES**

- CP Polished Chrome

**SPECIFIED MODEL:**

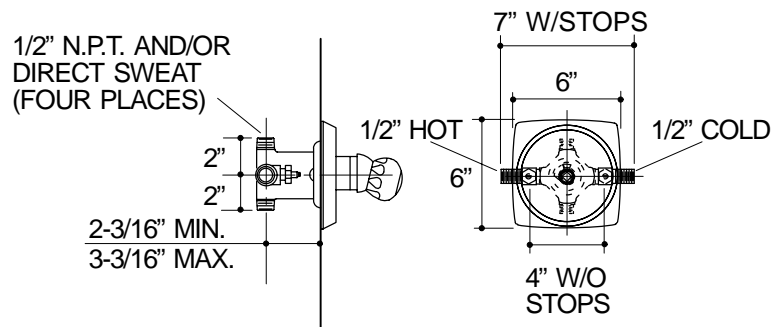
Model	Description	
K-15153	Less Screwdriver Stops	<input type="checkbox"/> CP
K-15155	With Screwdriver Stops	<input type="checkbox"/> CP

Optional Accessory		
K-15145	Fiberglass Installation Plate	<input type="checkbox"/> NA



**PRODUCT SPECIFICATION:**

Pressure-balancing single-control valve shall be of metal construction. Faucet shall feature a brass valve body. Valve shall be a one-piece, self-contained diaphragm cartridge, and allows both volume and temperature control. The valve shall feature temperature memory, allowing the faucet to be turned on and off at any temperature setting. The pressure-balancing mechanism shall be of one-piece diaphragm cartridge design for ease of maintenance. Product shall include faceplate with sculptured acrylic handle. Optional feature shall be with or without screwdriver stops. Faucet shall be Kohler Model K-\_\_\_\_\_ -CP.



## PRODUCT DIAGRAM