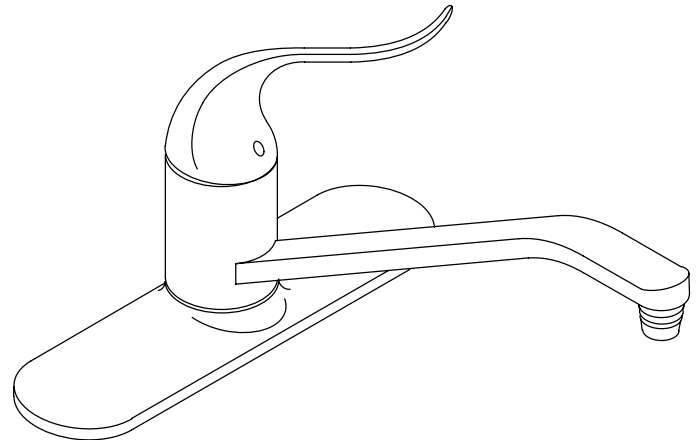


**KITCHEN SINK FAUCET
K-15171**

ADA

FEATURES

- Metal construction
- One-piece self-contained ceramic disc valve allows both volume and temperature control
- Temperature memory allowing faucet to be turned on and off at any temperature setting
- High-temperature limit stop
- Available with a 8-1/2" or 10" swing spout
- 2.2 gallons per minute
- Lever handle
- Optional ground joint connections and 16" long supply tubes



CODES/STANDARDS APPLICABLE

Specified model meets or exceeds the following:

- ASME/ANSI A112.18.1M
- CSA B125
- Energy Policy Act of 1992
- IAPMO/UPC
- NSF 61

COLORS/FINISHES

- CP Polished Chrome
- PB Polished Brass
- Other Refer to Faucets Price Book for additional finishes

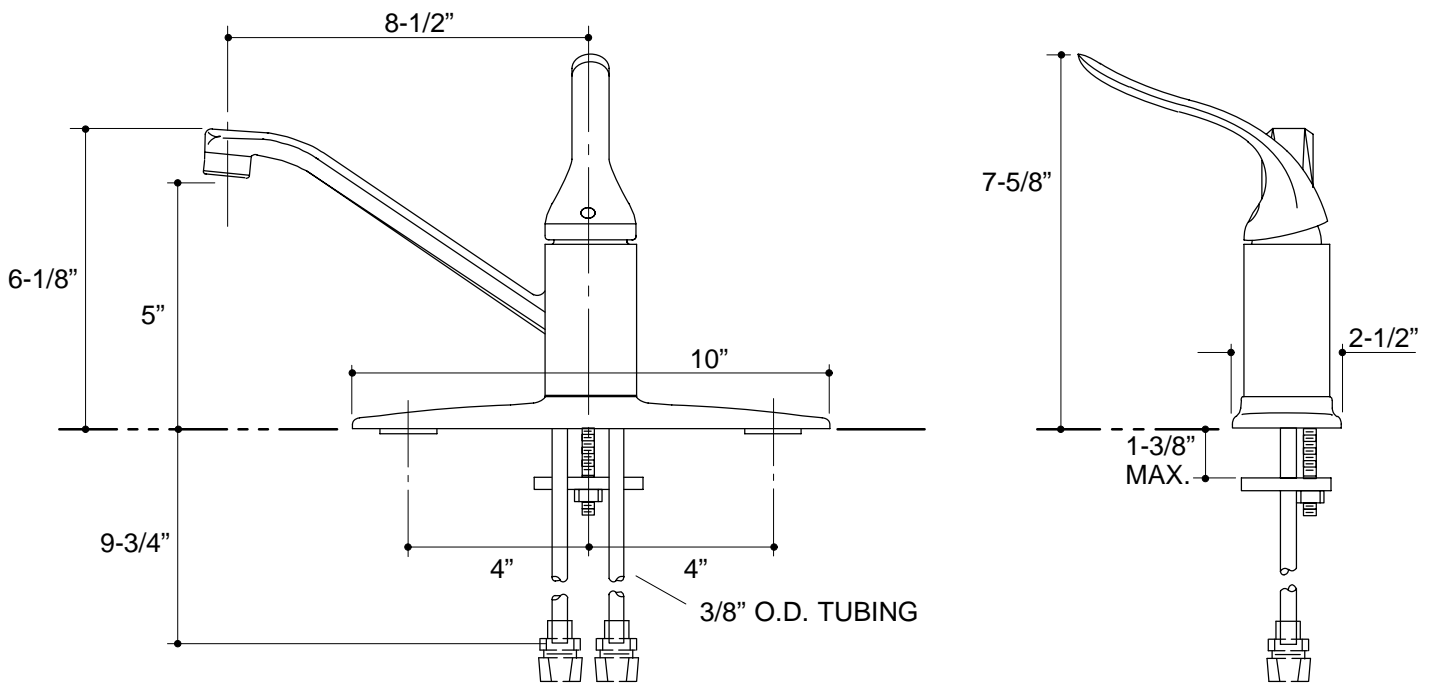
SPECIFIED MODEL:

Model	Description			
K-15171	With 8-1/2" Swing Spout	<input type="checkbox"/> CP		
K-15171-P	With 8-1/2" Swing Spout and Ground Joint Connections	<input type="checkbox"/> CP		
K-15171-TT	With 10" Swing Spout	<input type="checkbox"/> CP		
K-15171-LT	With 10" Swing Spout and 16" Supply Tubes	<input type="checkbox"/> CP		
K-15171-PT	With 10" Swing Spout and Ground Joint Connections	<input type="checkbox"/> CP	<input type="checkbox"/> PB	<input type="checkbox"/> Other_____

Optional Accessory				
K-15179-A	12" Swing Spout and Aerator	<input type="checkbox"/> CP	<input type="checkbox"/> PB	<input type="checkbox"/> Other_____

PRODUCT SPECIFICATION:

Single-control kitchen sink faucet shall be of metal construction. The valve shall be a one-piece, self-contained ceramic disc valve, and allows both volume and temperature control. The valve shall feature temperature memory, allowing the faucet to be turned on and off at any temperature setting, and includes a high-temperature limit stop. Product shall include 8-1/2" or 10" swing spout, and lever handle. Optional features shall be ground joint connections, and 16" supply tubes. Faucet shall be Kohler Model K-15171-_____-_____.



14

PRODUCT DIAGRAM