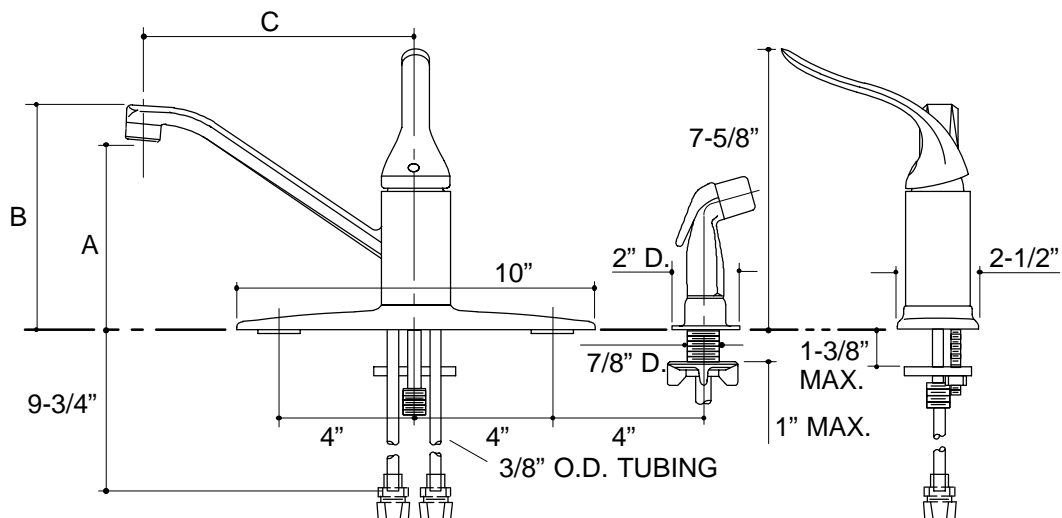


## Ordering Information

Applicable sink faucet without spray:	
Faucet with 8-1/2" spout	K-15172
Faucet with 8-1/2" spout and ground joints	K-15172-P
Faucet with 12" spout and ground joints	K-15172-PG
With 10" swing spout	K-15172-TT
With 16" supply tubes	K-15172-LT
With 16" supply tubes and ground joints	K-15172-PT
ADA Lever handle is ADA compliant	



Roughing-In Notes			
	A	B	C
K-15172/72-P	5"	6-1/8"	8-1/2"
K-15172-PG	6-1/8"	7-1/4"	12"