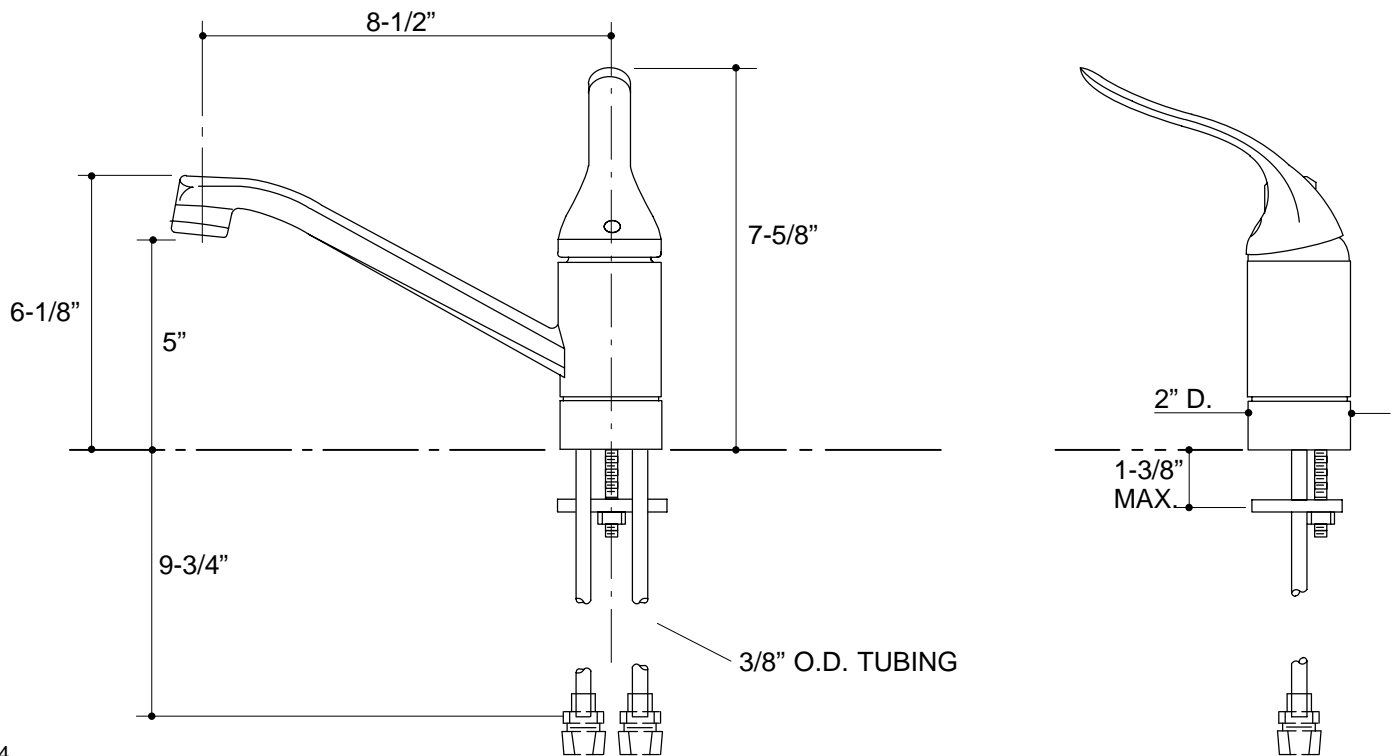


Ordering Information

| | |
|--|------------|
| Applicable sink faucet without spray: | |
| Faucet with 8-1/2" spout | K-15175-P |
| With 10" swing spout | K-15175-PT |
| Accessories/hardware: | |
| 12" swing spout | K-15179-A |
| ADA Lever handle is ADA compliant | |



14

K-15175 Coralais[™] Kitchen Sink Faucet
115357-1-AA (9619)

KOHLER[®]

NOTES: