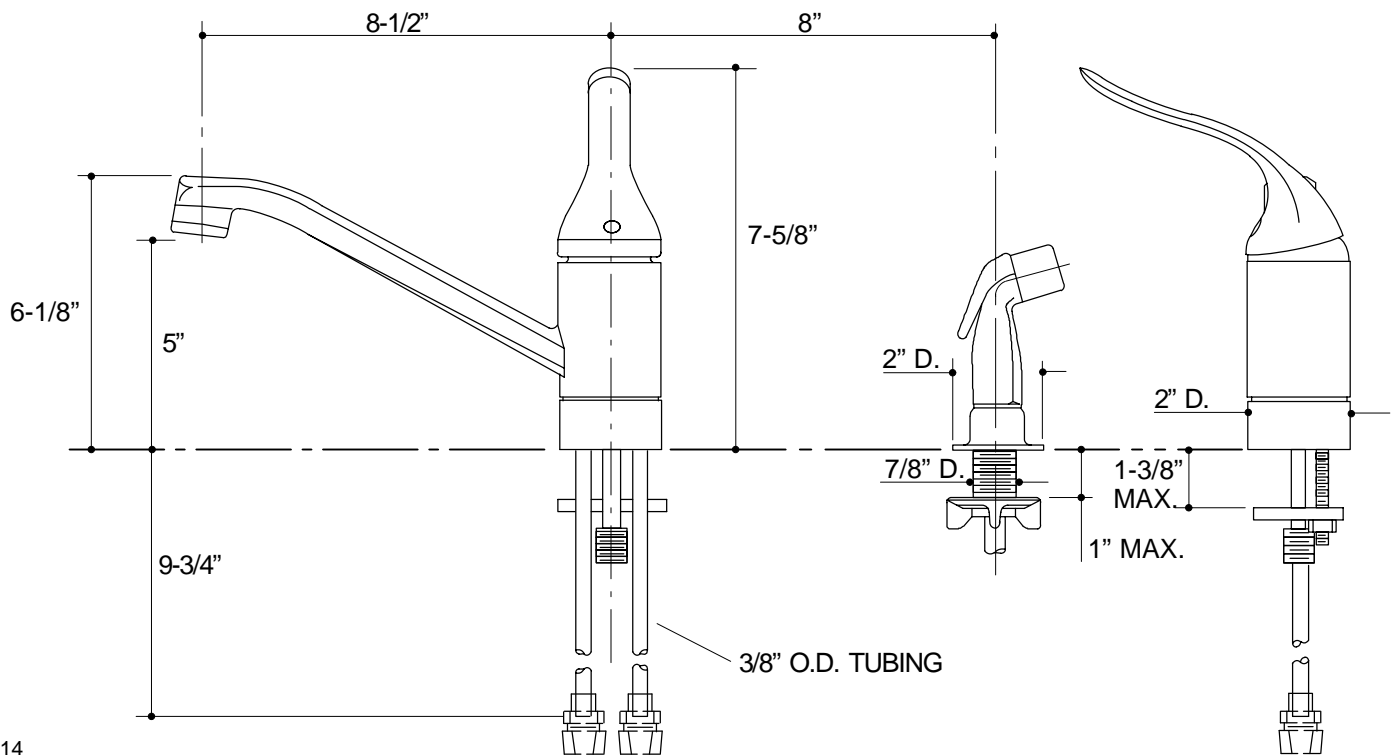


Ordering Information

Applicable sink faucet with spray:	
Faucet with 8-1/2" spout	K-15176
With ground joints	K-15176-PT
Accessories/hardware:	
12" swing spout	K-15179-A
ADA Lever handle is ADA compliant	



14

K-15176 Coralais[™] Kitchen Sink Faucet
115358-1-AA (9619)

KOHLER[®]

NOTES: