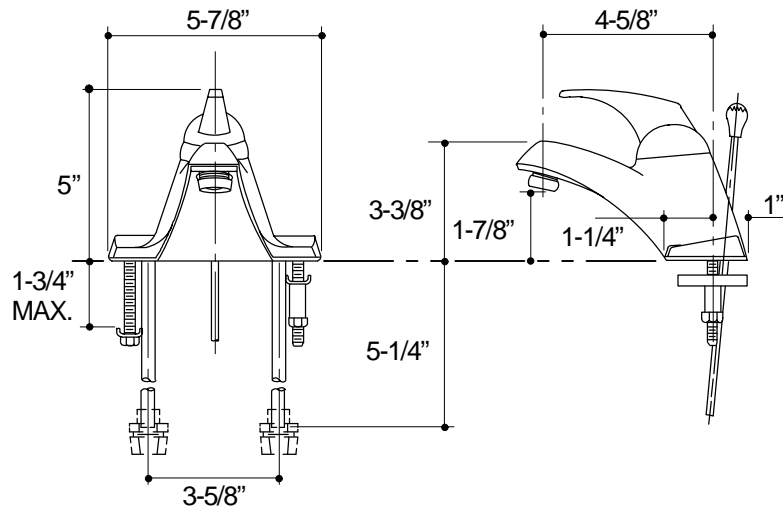


Ordering Information

Applicable faucet:	
With ground joints and less pop-up drain	K-15192-P
Accessories/hardware:	
Color cap, single	K-15180-A
ADA Lever handle is ADA compliant	



316

K-15192-P Coralais™ Lavatory Faucet
 115364-1-AA (9619)

NOTES: