

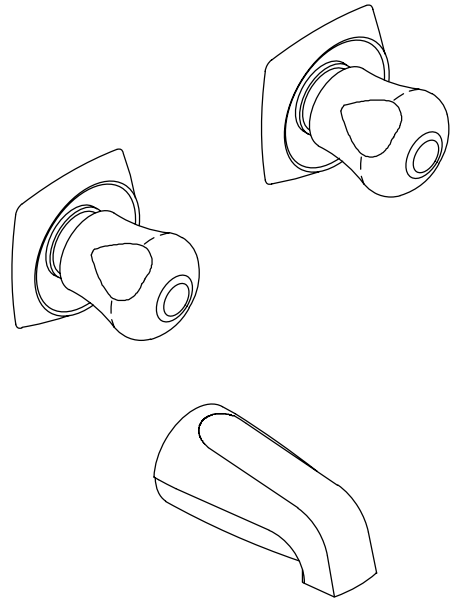
FEATURES

- Metal construction
- Reversible 1/2" quarter-turn washerless ceramic disc valves
- 4-7/8" non-diverter spout with N.P.T. or slip-fit connection
- Sculptured acrylic handles

CODES/STANDARDS APPLICABLE

Specified model meets or exceeds the following:

- ASME/ANSI A112.18.1M
- Canadian Standards Association (CSA)
- IAPMO/UPC
- NSF 14



COLORS/FINISHES

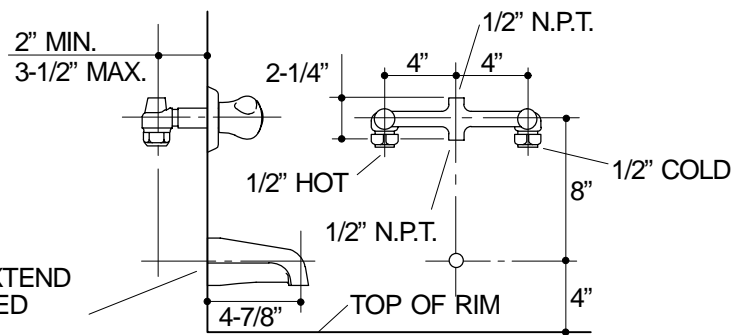
- CP Polished Chrome
- PB Polished Brass

SPECIFIED MODEL:

Model	Description	<input type="checkbox"/> CP	<input type="checkbox"/> PB
K-15221	With N.P.T. Non-Diverter Bath Spout	<input type="checkbox"/> CP	<input type="checkbox"/> PB
K-15221-S	With Slip-Fit Non-Diverter Bath Spout	<input type="checkbox"/> CP	

PRODUCT SPECIFICATION:

Two-handle bath faucet shall be of metal construction. Faucet shall feature reversible 1/2" quarter-turn washerless ceramic disc valves, assuring positive handle stop positioning. Product shall include 4-7/8" non-diverter spout with N.P.T. or slip-fit connection, and sculptured acrylic handles. Faucet shall be Kohler Model K-15221-_____-_____.



1/2" N.P.T. PIPE OR 5/8" O.D. TUBING.
 FOR SLIP-FIT SPOUT, TUBING MUST EXTEND
 1-1/2" MIN.; 2-7/8" MAX. BEYOND FINISHED
 WALL.
 FOR N.P.T. SPOUT, PIPE MUST EXTEND 3-7/8"
 BEYOND FINISHED WALL.

PRODUCT DIAGRAM