

**BATH AND SHOWER FAUCET  
K-15231**

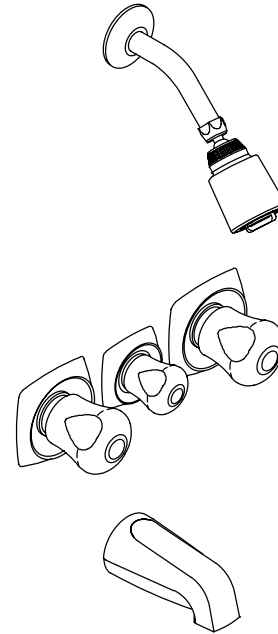
**FEATURES**

- Metal construction
- Reversible 1/2" quarter-turn washerless ceramic disc valves
- 4-7/8" non-diverter spout with N.P.T. or slip-fit connection
- Sculptured acrylic handles

**CODES/STANDARDS APPLICABLE**

Specified model meets or exceeds the following:

- ASME/ANSI A112.18.1M
- CSA B125
- IAPMO/UPC



**COLORS/FINISHES**

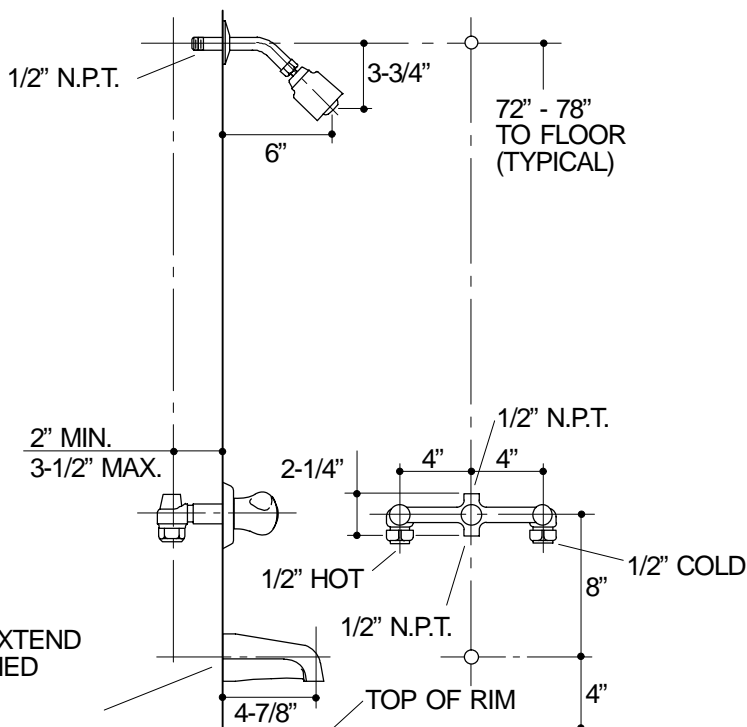
- CP Polished Chrome
- PB Polished Brass

**SPECIFIED MODEL:**

Model	Description		
K-15231	With N.P.T. Non-Diverter Bath Spout	<input type="checkbox"/> CP	<input type="checkbox"/> PB
K-15231-S	With Slip-Fit Non-Diverter Bath Spout	<input type="checkbox"/> CP	

**PRODUCT SPECIFICATION:**

Three-handle bath and shower faucet shall be of metal construction. Faucet shall feature reversible 1/2" quarter-turn washerless ceramic disc valves, assuring positive handle stop positioning. Product shall include showerhead with arm and flange, 4-7/8" non-diverter spout with N.P.T. or slip-fit connection, integral diverter mechanism, and sculptured acrylic handles. Faucet shall be Kohler Model K-15231-\_\_\_\_\_-\_\_\_\_\_.



1/2" N.P.T. PIPE OR 5/8" O.D. TUBING.

FOR SLIP-FIT SPOUT, TUBING MUST EXTEND 1-1/2" MIN.; 2-7/8" MAX. BEYOND FINISHED WALL.

332 FOR N.P.T. SPOUT, PIPE MUST EXTEND 3-7/8" BEYOND FINISHED WALL.

## PRODUCT DIAGRAM