

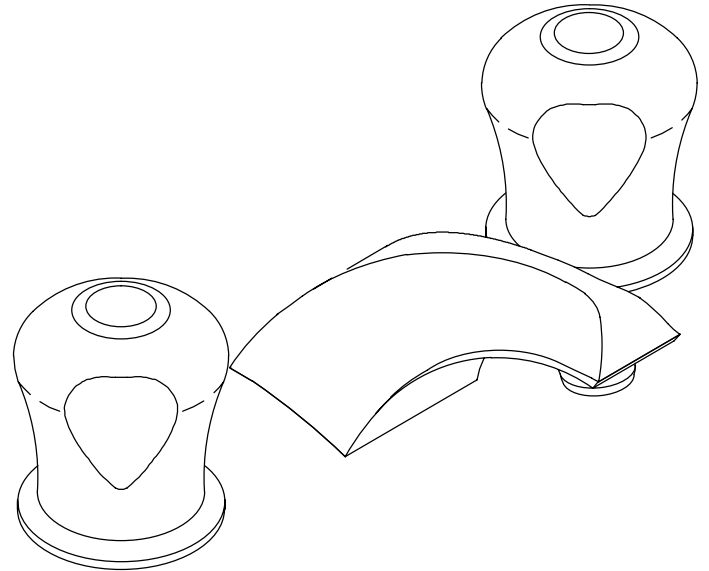
**FEATURES**

- Metal construction
- Flexible connections
- Reversible quarter-turn washerless ceramic disc valves
- 3-3/4" spout
- Metal throatplate
- 2.0 gallons per minute
- Sculptured acrylic handles
- Ground joint connections

**CODES/STANDARDS APPLICABLE**

Specified model meets or exceeds the following:

- ASME/ANSI A112.18.1M
- California Energy Commission
- Canadian Standards Association (CSA)
- Energy Policy Act of 1992
- IAPMO/UPC
- NSF 14



**COLORS/FINISHES**

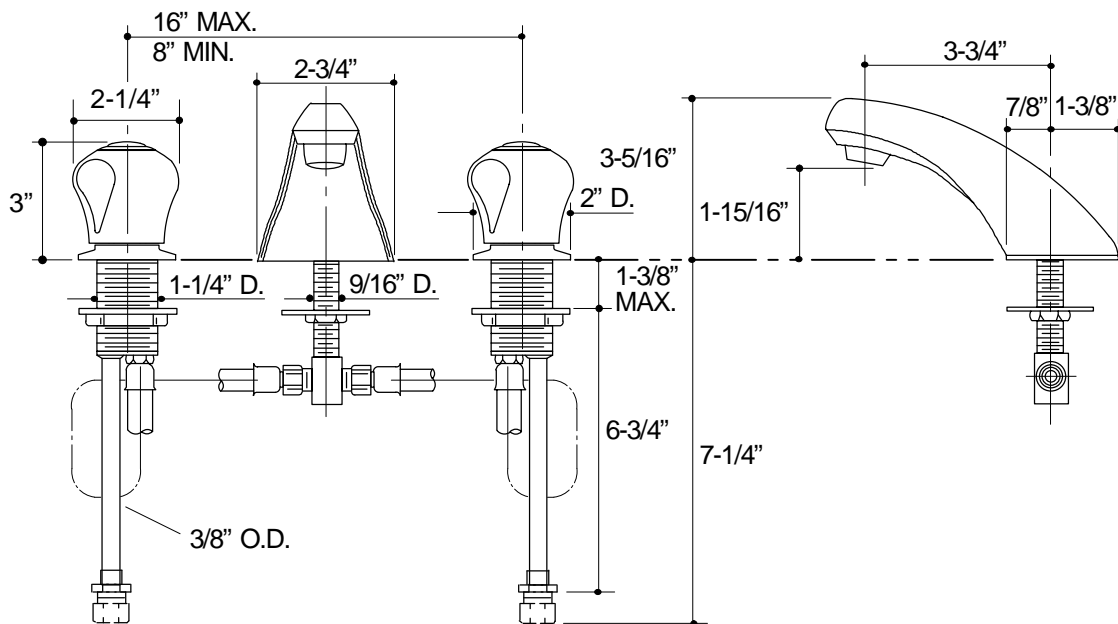
- CP Polished Chrome

**SPECIFIED MODEL:**

| Model     | Description                         |                             |
|-----------|-------------------------------------|-----------------------------|
| K-15265-P | Coralais Widespread Lavatory Faucet | <input type="checkbox"/> CP |

**PRODUCT SPECIFICATION:**

Two-handle widespread lavatory faucet shall be of metal construction. Faucet shall feature reversible quarter-turn washerless ceramic disc valves, assuring positive handle stop positioning. Product shall be less drain. Product shall include flexible connections, 3-3/4" spout, lift rod hole with plug, and sculptured acrylic handles. Faucet shall be Kohler Model K-15265-P-CP.



## PRODUCT DIAGRAM