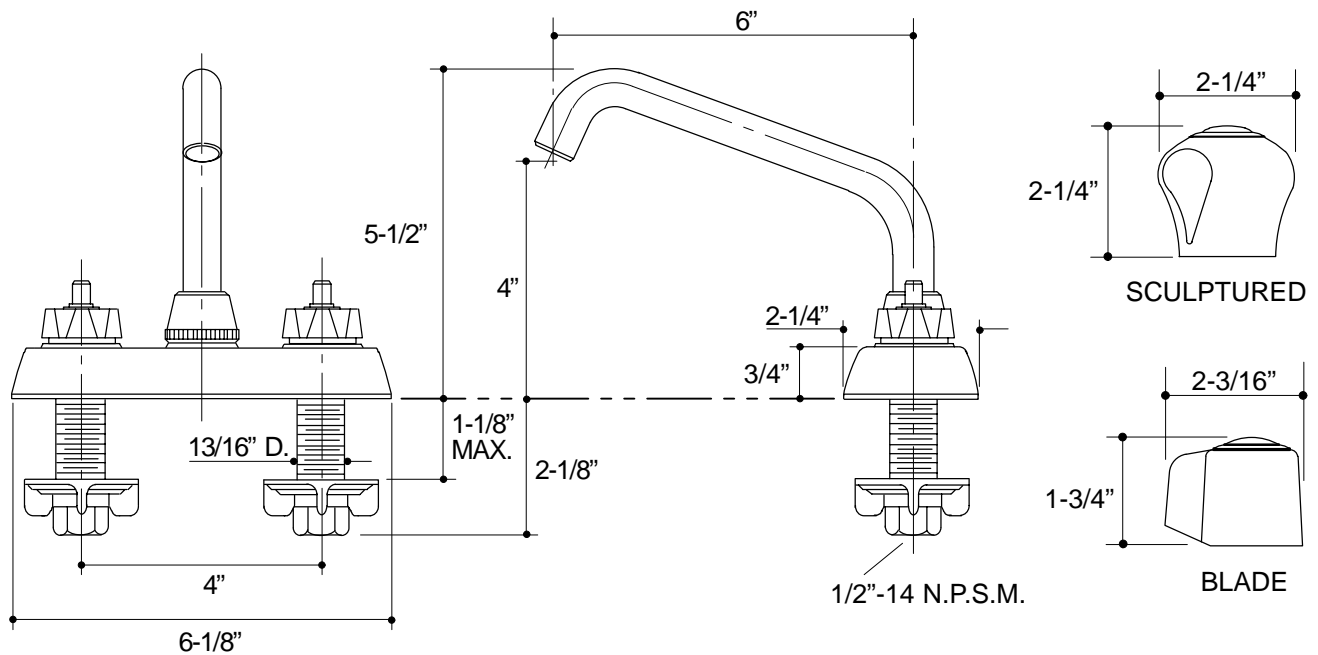


**Ordering Information**

Applicable faucet:	
With sculptured handles	K-15270
With blade handles	K-15270-B
<b>ADA</b> Blade handle is ADA compliant	



516

**K-15270** Coralais™ Laundry Sink Faucet  
 115377-1-AA (9619)

**NOTES:**