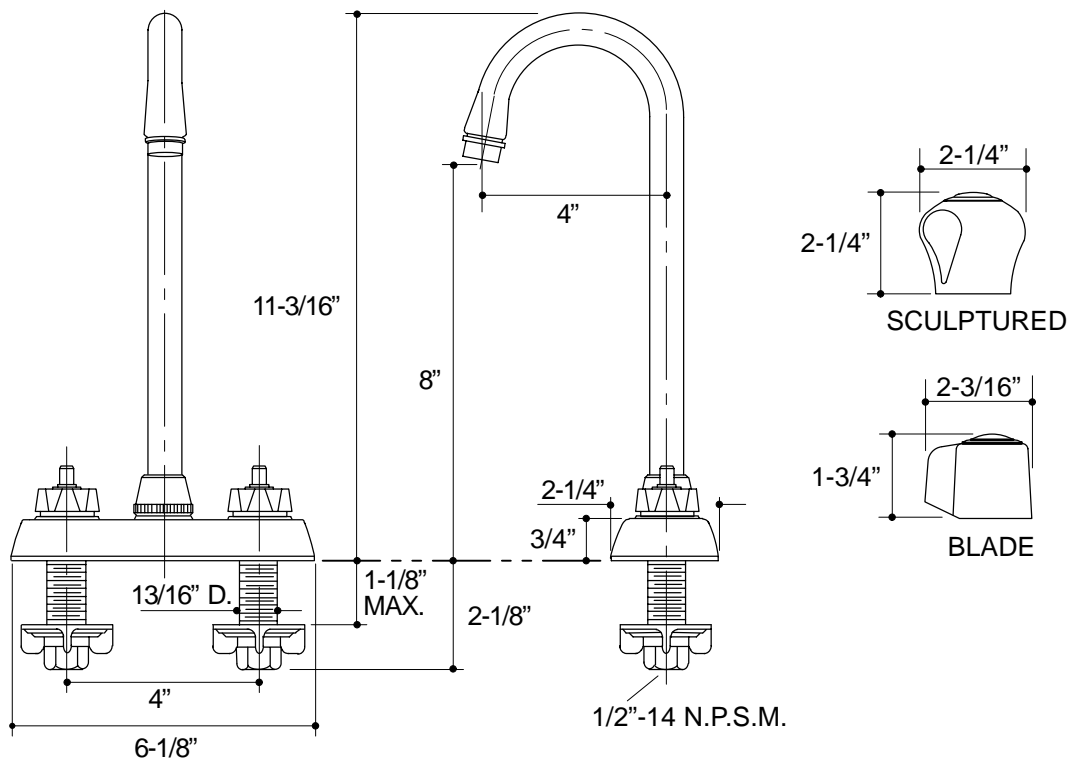


**Ordering Information**

Applicable faucet:	
With sculptured handles	K-15275
With blade handles	K-15275-B
<b>ADA</b> Blade handle is ADA compliant	



14

**K-15275** Coralais™ Bar Sink Faucet  
 115379-1-AA (9619)

**NOTES:**