

**BATH AND SHOWER FAUCET TRIM
K-15371
PROJECT PACK**

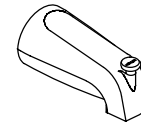
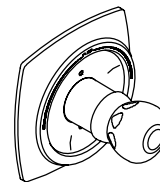
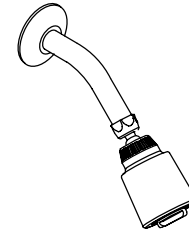
FEATURES

- Metal construction
- Available with 4-7/8" diverter spout with N.P.T. or slip-fit connection
- Sculptured acrylic handle
- Variety of valve options
- Packaged 12 per case

CODES/STANDARDS APPLICABLE

Specified model meets or exceeds the following:

- ASME/ANSI A112.18.1M



COLORS/FINISHES

- CP Polished Chrome
- PB Polished Brass
- Other Refer to Faucets Price Book for additional finishes

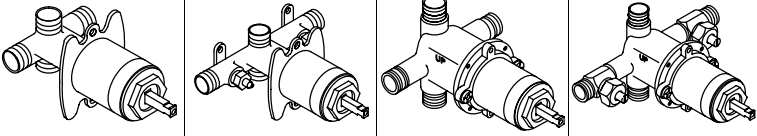
SPECIFIED MODEL: For complete faucet, both faucet trim and base valve must be specified.

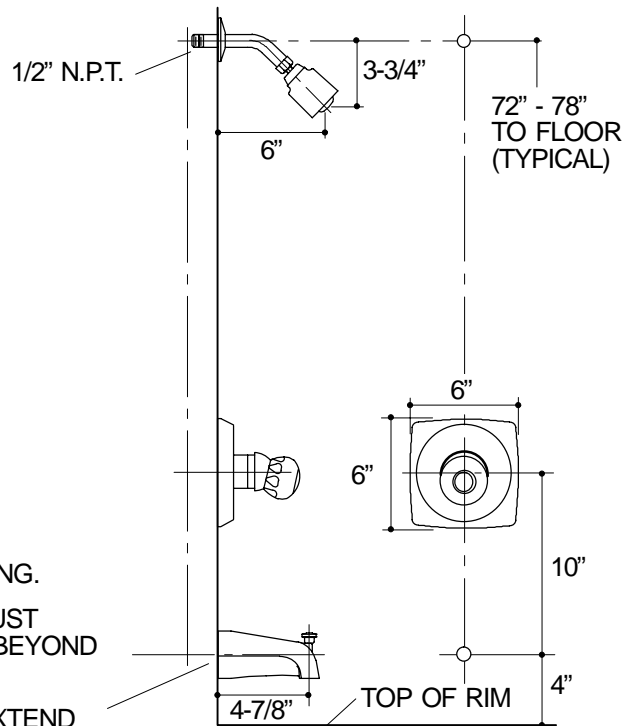
Model	Description			
K-15371	With N.P.T. Diverter Bath Spout	<input type="checkbox"/> CP		
K-15371-S	With Slip-Fit Diverter Bath Spout	<input type="checkbox"/> CP	<input type="checkbox"/> PB	<input type="checkbox"/> Other_____

Required Accessory on Page 2.

PRODUCT SPECIFICATION:

Single-control bath and shower valve faucet trim shall be of metal construction. Trim shall include showerhead with arm and flange, faceplate with sculptured acrylic handle, and 4-7/8" diverter spout with N.P.T. or slip-fit connection. Trim shall be Kohler Model K-15371-_____-_____- and valve shall be Kohler Model K-_____-K-NA. Project Pack valves and trim are packaged 12 per case.

Required Accessory					
K-15379-K	Non-Pressure Balancing Base Valve, Less Screwdriver Stops	<input type="checkbox"/> NA			
K-15380-K	Non-Pressure Balancing Base Valve With Screwdriver Stops		<input type="checkbox"/> NA		
K-15381-K	Pressure-Balancing Base Valve, Less Screwdriver Stops			<input type="checkbox"/> NA	
K-15382-K	Pressure-Balancing Base Valve With Screwdriver Stops				<input type="checkbox"/> NA



1/2" N.P.T. PIPE OR 5/8" O.D. TUBING.
 FOR SLIP-FIT SPOUT, TUBING MUST EXTEND 1-1/2" MIN.; 2-7/8" MAX. BEYOND FINISHED WALL.
 FOR N.P.T. SPOUT, PIPE MUST EXTEND 3-7/8" BEYOND FINISHED WALL.

332

PRODUCT DIAGRAM