

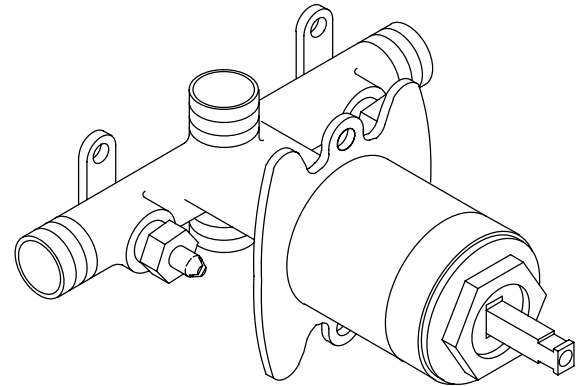
FEATURES

- Brass valve body
- One-piece self-contained valve cartridge allows both volume and temperature control
- Temperature memory allowing faucet to be turned on and off at any temperature setting
- Screwdriver stops
- Variety of faucet trim options
- Packaged 12 per case

CODES/STANDARDS APPLICABLE

Specified model meets or exceeds the following:

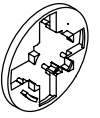
- ASME/ANSI A112.18.1M



COLORS/FINISHES

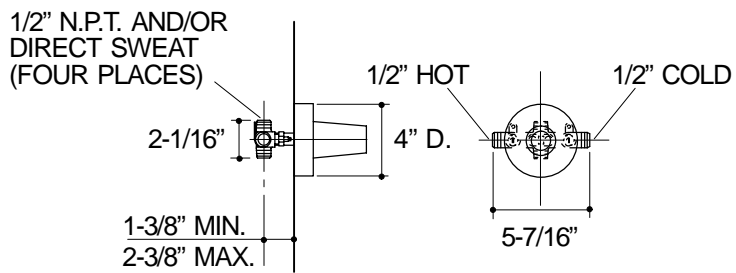
- CP Polished Chrome
- PB Polished Brass

SPECIFIED MODEL: For complete faucet, both base valve and faucet trim must be specified.

Model	Description		
K-15380-K	Coralais Non-Pressure Balancing Single Control Base Valve	<input type="checkbox"/> CP	<input type="checkbox"/> PB
Optional Accessory			
K-15145	Fiberglass Installation Plate	<input type="checkbox"/> NA	

PRODUCT SPECIFICATION:

Non-pressure balancing single-control base valve shall have a brass valve body. The valve shall be a one-piece, self-contained valve cartridge, and allows both volume and temperature control. The valve shall feature temperature memory, allowing the faucet to be turned on and off at any temperature setting. Valve shall include screwdriver stops. Valve shall be Kohler Model K-15380-K-_____. Project Pack valves are packaged 12 per case.



PRODUCT DIAGRAM