

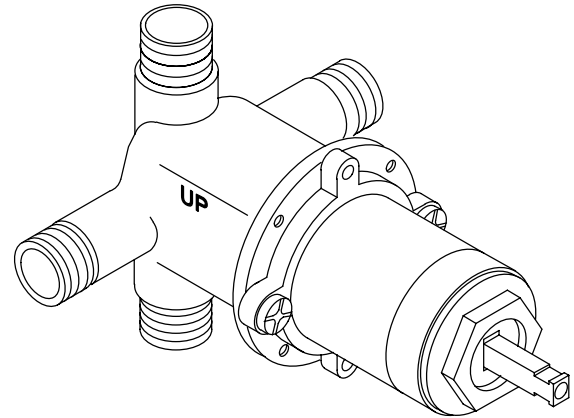
**FEATURES**

- Brass valve body
- One-piece self-contained valve cartridge allows both volume and temperature control
- Temperature memory allowing faucet to be turned on and off at any temperature setting
- Pressure-balancing mechanism of one-piece diaphragm cartridge design for ease of maintenance
- Variety of faucet trim options
- Packaged 12 per case

**CODES/STANDARDS APPLICABLE**

Specified model meets or exceeds the following:

- ASME/ANSI A112.18.1M

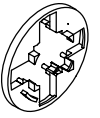


**COLORS/FINISHES**

- CP Polished Chrome
- PB Polished Brass

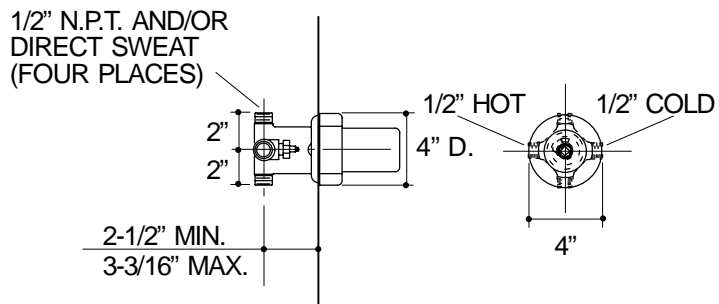
**SPECIFIED MODEL:** For complete faucet, both base valve and faucet trim must be specified.

Model	Description		
K-15381-K	Coralais Pressure-Balancing Single Control Base Valve	<input type="checkbox"/> CP	<input type="checkbox"/> PB

Optional Accessory		
K-15145	Fiberglass Installation Plate	<input type="checkbox"/> NA

**PRODUCT SPECIFICATION:**

Single-control pressure-balancing base valve shall have a brass valve body. Valve shall be a one-piece, self-contained diaphragm cartridge, and allows both volume and temperature control. The valve shall feature temperature memory, allowing the faucet to be turned on and off at any temperature setting. The pressure-balancing mechanism shall be of one-piece diaphragm cartridge design for ease of maintenance. Valve shall be Kohler Model K-15381-K-\_\_\_\_\_. Project Pack valves are packaged 12 per case.



332

## PRODUCT DIAGRAM