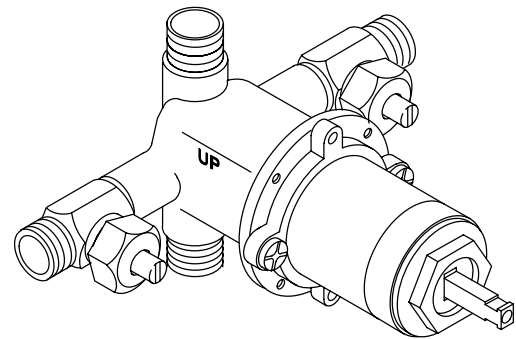


**BASE VALVE
K-15382-K
PROJECT PACK**

FEATURES

- Brass valve body
- One-piece self-contained valve cartridge allows both volume and temperature control
- Temperature memory allowing faucet to be turned on and off at any temperature setting
- Pressure-balancing mechanism of one-piece diaphragm cartridge design for ease of maintenance
- Screwdriver stops
- Variety of faucet trim options
- Packaged 12 per case



CODES/STANDARDS APPLICABLE

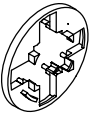
Specified model meets or exceeds the following:

- ASME/ANSI A112.18.1M

COLORS/FINISHES

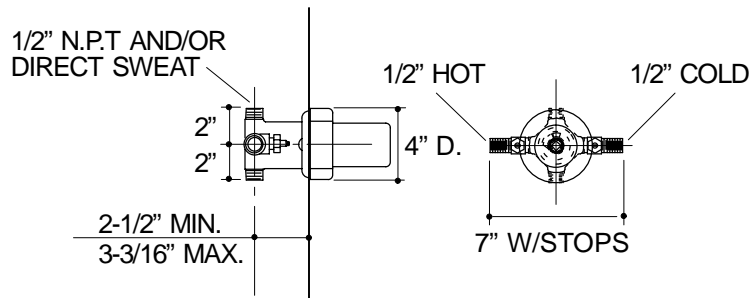
- CP Polished Chrome
- PB Polished Brass

SPECIFIED MODEL: For complete faucet, both base valve and faucet trim must be specified.

Model	Description		
K-15382-K	Coralais Pressure-Balancing Single Control Base Valve	<input type="checkbox"/> CP	<input type="checkbox"/> PB
Optional Accessory			
K-15145	Fiberglass Installation Plate	<input type="checkbox"/> NA	

PRODUCT SPECIFICATION:

Single-control pressure-balancing base valve shall have a brass valve body. Valve shall be a one-piece, self-contained diaphragm cartridge, and allows both volume and temperature control. The valve shall feature temperature memory, allowing the faucet to be turned on and off at any temperature setting. The pressure-balancing mechanism shall be of one-piece diaphragm cartridge design for ease of maintenance. Valve shall include screwdriver stops. Valve shall be Kohler Model K-15382-K-_____. Project Pack valves are packaged 12 per case.



332

PRODUCT DIAGRAM