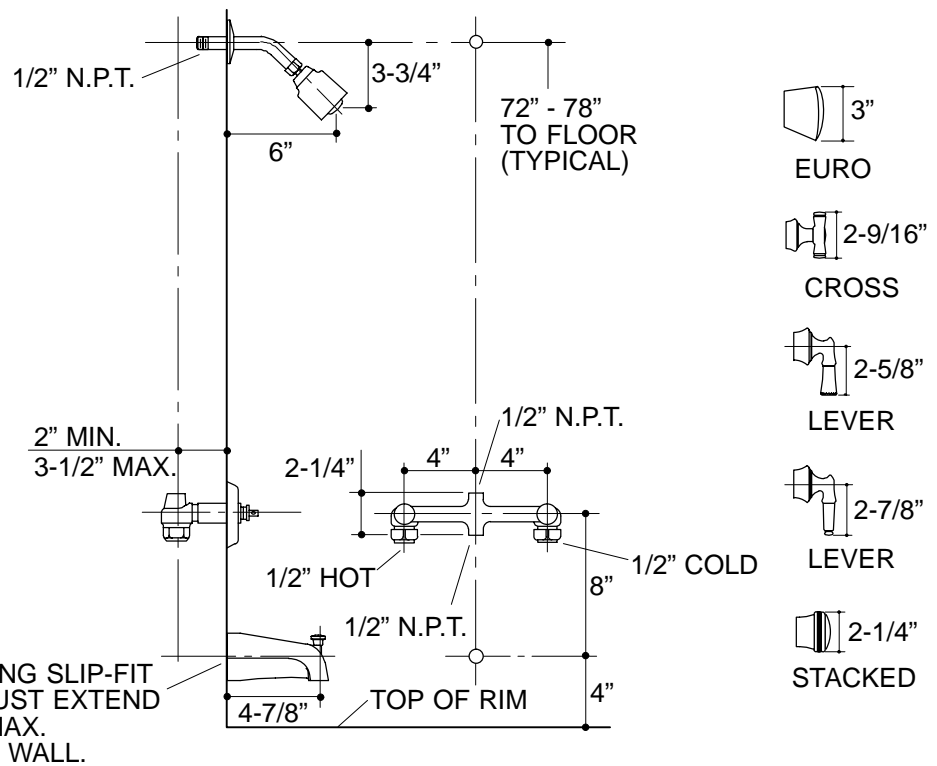


Ordering Information

| | |
|--|------------|
| Applicable product: | |
| Bath and shower base faucet | K-15802-K |
| Euro handles | K-15851-1 |
| White porcelain cross handles | K-15851-3P |
| Lever handles: | |
| with acrylic insert | K-15851-4R |
| with white porcelain insert | K-15851-4P |
| with polished chrome insert | K-15851-4M |
| with polished brass insert | K-15851-4N |
| Stacked handles: | |
| with polished chrome insert | K-15851-7M |
| with polished brass insert | K-15851-7N |
| ADA Lever and cross handle is ADA compliant | |



332

K-15802-K Coralais™ Bath and Shower Faucet
115416-1-BA (-)

KOHLER®

NOTES: