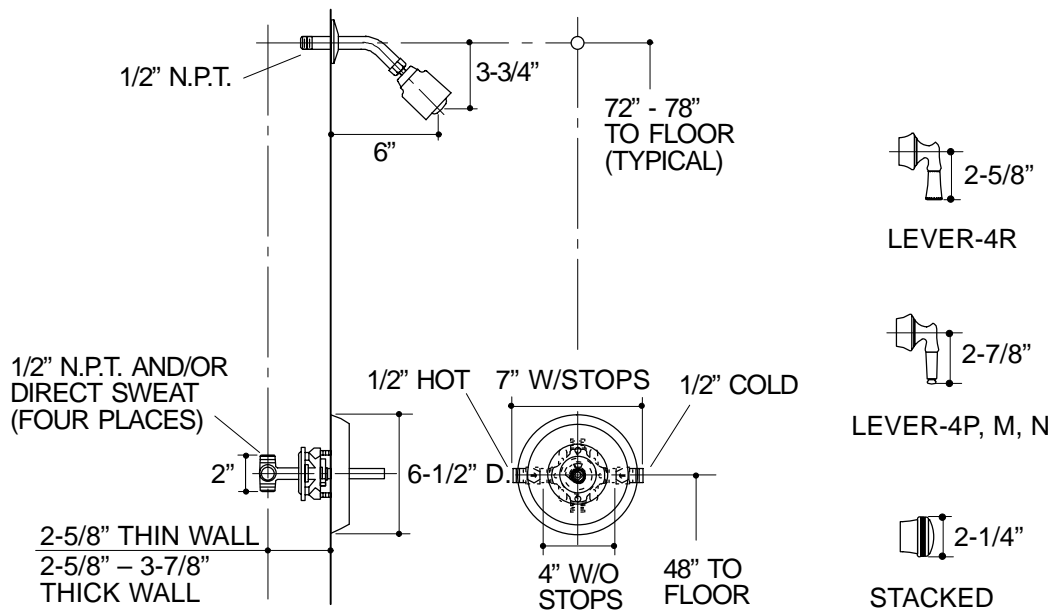


Ordering Information

Applicable shower faucet trim:	
With lever handle	K-T15872-4K*
With stacked handle (CP, PB)	K-T15872-7K*
With stacked handle (white) with PB accents	K-T15872-7N*

Applicable valve:		
Less stops	K-15700-K	required**
With stops	K-15700-KS	required**
**Required for configuration illustrated.		

*Insert required to complete lever handle:	
with acrylic insert	K-15855-4R
with white porcelain insert	K-15855-4P
with polished chrome insert	K-15855-4M
with polished brass insert	K-15855-4N
*Insert required to complete stacked handle:	
with polished chrome insert	K-15855-7M
with polished brass insert	K-15855-7N
ADA Lever handles are ADA compliant	



332

K-T15872, K-15700-K Coralais™ Shower Faucet Trim
115423-1-CA (A)

KOHLER®

NOTES: