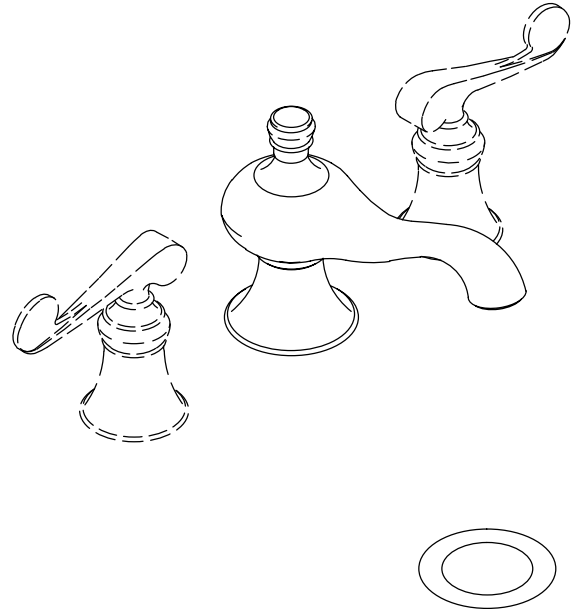


**LAVATORY FAUCET  
K-16102**

**FEATURES**

- Brass construction
- Flexible connections
- Brass valve bodies
- Quarter-turn washerless ceramic disc valves
- 5-1/4" spout
- 2.0 gallons per minute
- Pop-up drain with lift rod and tailpiece
- Available with scroll or traditional lever handles



**CODES/STANDARDS APPLICABLE**



Specified model meets or exceeds the following:

- ASME/ANSI A112.18.1M
- CSA B125
- Energy Policy Act of 1992
- IAPMO/UPC
- NSF 61

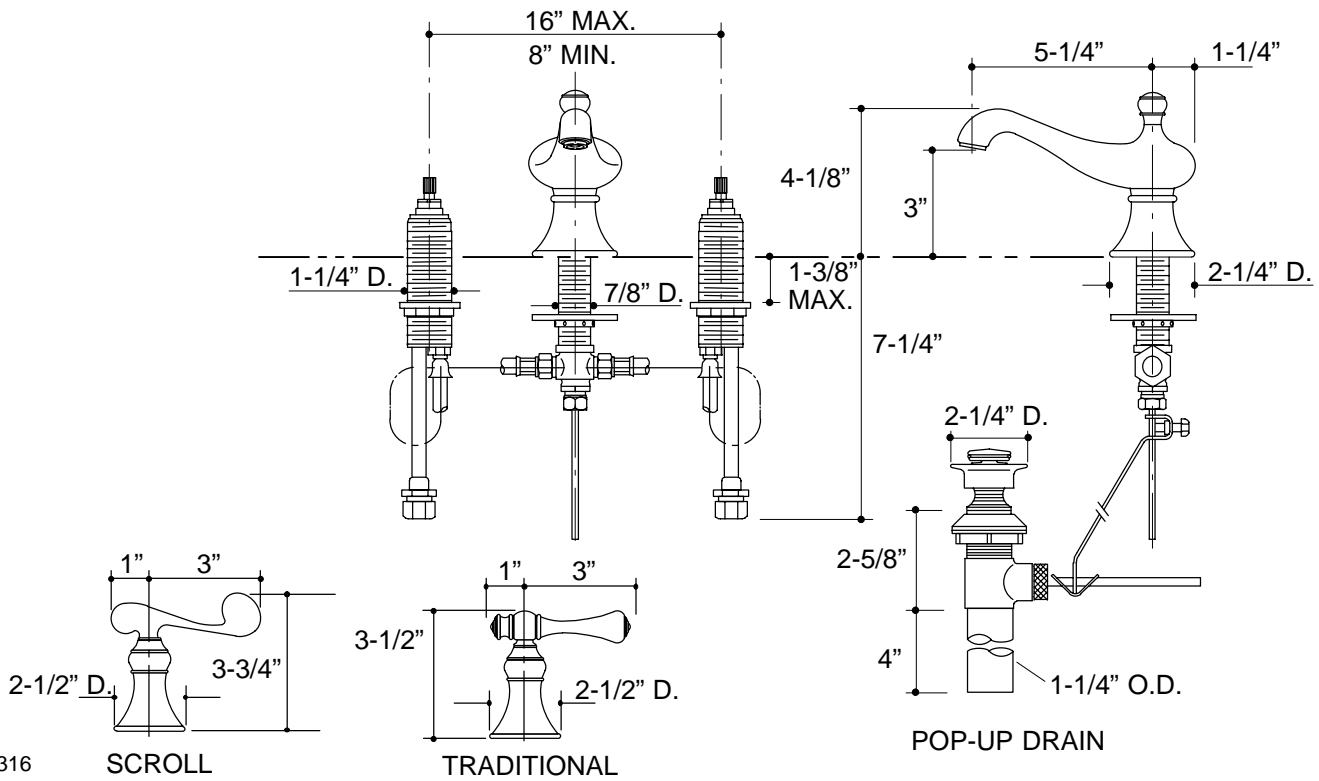
**COLORS/FINISHES**

- CP Polished Chrome
- PB Polished Brass
- Other Refer to Faucets Price Book for additional finishes

**SPECIFIED MODEL:**

Model	Description	 <span style="border: 1px solid black; padding: 2px;">ADA</span>			 <span style="border: 1px solid black; padding: 2px;">ADA</span>		
		<input type="checkbox"/> CP	<input type="checkbox"/> PB	<input type="checkbox"/> Other_____	<input type="checkbox"/> CP	<input type="checkbox"/> PB	<input type="checkbox"/> Other_____
K-16102-4	With Scroll Handles	<input type="checkbox"/> CP	<input type="checkbox"/> PB	<input type="checkbox"/> Other_____			
K-16102-4A	With Traditional Handles				<input type="checkbox"/> CP	<input type="checkbox"/> PB	<input type="checkbox"/> Other_____

**PRODUCT SPECIFICATION:**  
 Two-handle widespread lavatory faucet shall be of brass construction. Faucet shall feature brass valve bodies. Faucet shall feature quarter-turn washerless ceramic disc valves, assuring positive handle stop positioning. Product shall include flexible connections, 5-1/4" spout, pop-up drain with lift rod and tailpiece, and handles. Faucet shall be Kohler Model K-16102-\_\_\_\_\_-\_\_\_\_\_.



316

**PRODUCT DIAGRAM**