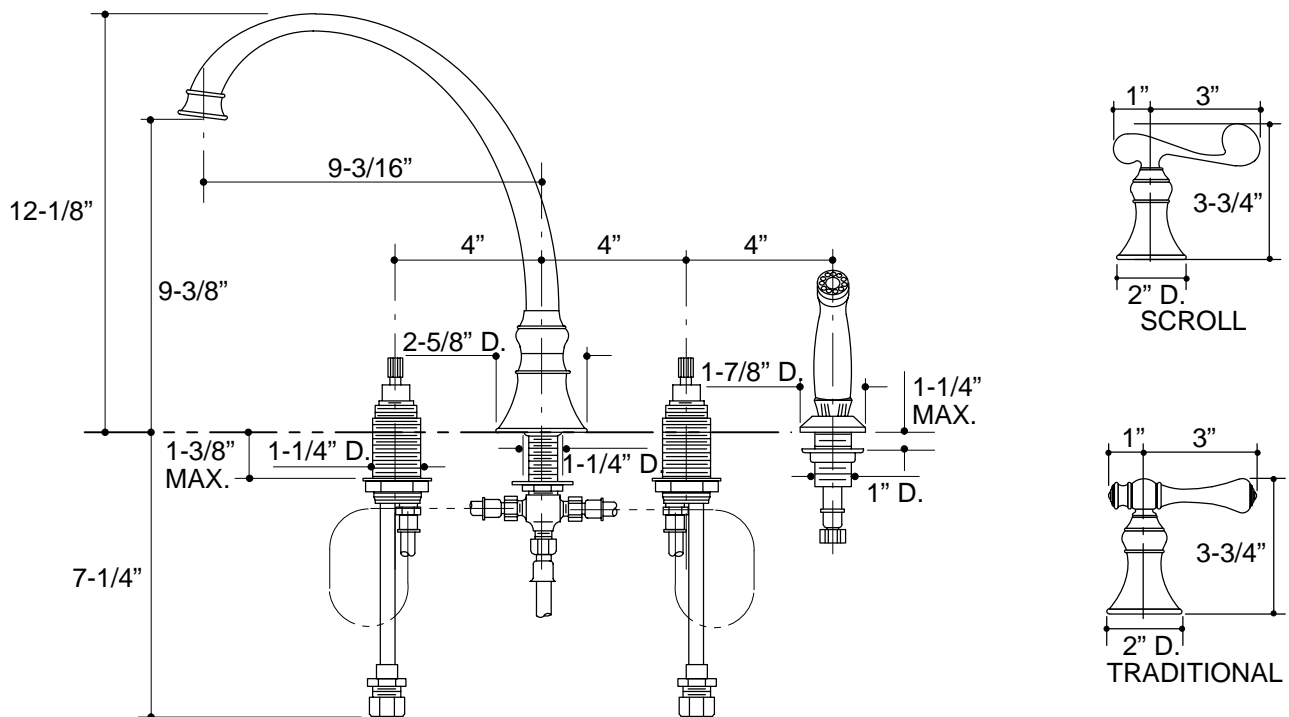


Ordering Information

Applicable faucet:	
With scroll handle	K-16109-4
With traditional handle	K-16109-4A
ADA Traditional and scroll lever handles are ADA compliant	



316

K-16109 Revival™ Kitchen Sink Faucet
115433-1-CA (-)

NOTES: