

Ordering Information

| | |
|------------------------------------------------------|-------------|
| Applicable bath and shower trim only: | |
| Scroll handle* | K-T16113-4 |
| Traditional handle* | K-T16113-4A |
| Applicable shower trim only: | |
| Scroll handle* | K-T16114-4 |
| Traditional handle | K-T16114-4A |
| Applicable valve trim only: | |
| Scroll handle* | K-T16117-4 |
| Traditional handle* | K-T16117-4A |
| *Rite-Temp valve must be ordered to complete faucet. | |

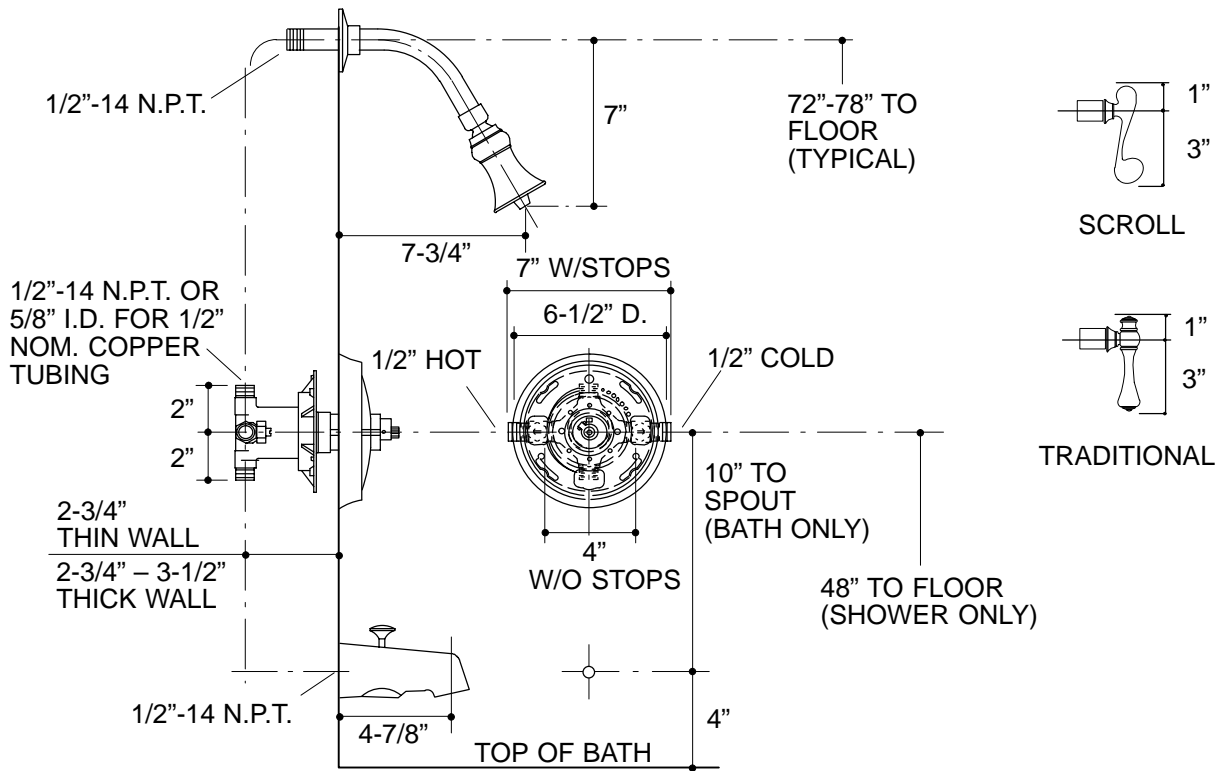
| | | |
|-------------------------------------------|----------|------------|
| Applicable Rite-Temp valve only: | | |
| Rite-Temp valve without stops | K-304-K | required** |
| Rite-Temp valve with stops | K-304-KS | required** |
| **Required for configuration illustrated. | | |
| ADA Lever handle is ADA compliant | | |

Installation Notes

Avoid cross-flow conditions. Do not install shut-off device on either valve outlet.

Cap shower outlet if deck-mount spout, diverter, or handshower is connected to spout outlet.

Install straight pipe or tube drop of 7 to 18" with single elbow between valve and wall-mount spout.



18

K-T16113, K-T16114, K-T16117, K-304 Revival™ Bath and Shower Faucets
115435-1-CA (-)

KOHLER®

NOTES: