

BATH FAUCET TRIM
K-T16122
ALSO K-300-K

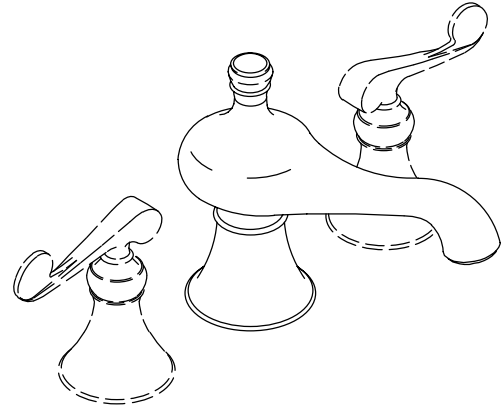
FEATURES

- Brass construction
- Bath-mount
- 6-5/8" non-diverter spout with slip-fit connection
- Available with scroll or traditional lever handles

CODES/STANDARDS APPLICABLE

Specified model meets or exceeds the following:



- ASME/ANSI A112.18.1M
- CSA B125
- IAPMO/UPC

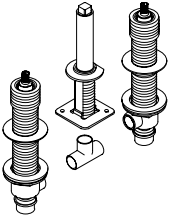


COLORS/FINISHES

- CP Polished Chrome
- PB Polished Brass
- Other Refer to Faucets Price Book for additional finishes

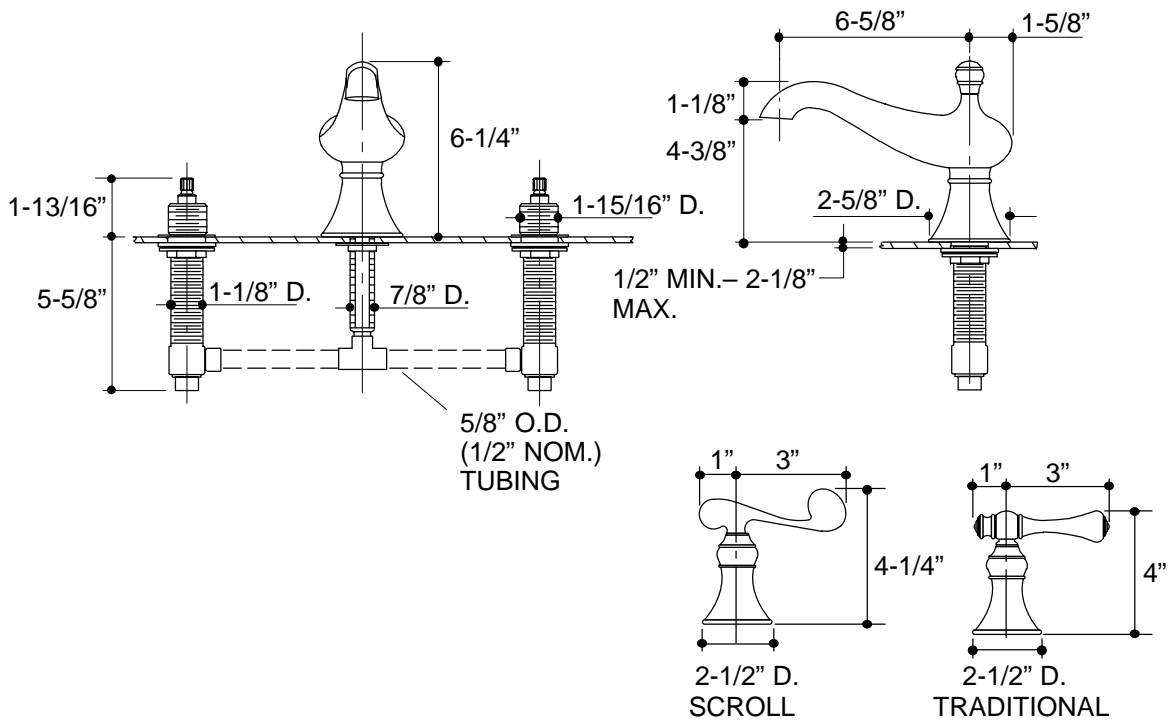
SPECIFIED MODEL: For complete faucet, both faucet trim and valve system must be specified.

| Model | Description |  ADA |  ADA |
|-------------|--------------------------|---------------------------------------------------------------------------------------------|---------------------------------------------------------------------------------------------|
| K-T16122-4 | With Scroll Handles | <input type="checkbox"/> CP <input type="checkbox"/> PB <input type="checkbox"/> Other_____ | |
| K-T16122-4A | With Traditional Handles | | <input type="checkbox"/> CP <input type="checkbox"/> PB <input type="checkbox"/> Other_____ |

| Required Accessory | |  |
|--------------------|------------------------------------------|---------------------------------------------------------------------------------------|
| K-300-K | 1/2" High-Flow Ceramic Disc Valve System | <input type="checkbox"/> NA |

PRODUCT SPECIFICATION:

Two-handle bath-mount high-flow bath faucet trim shall be of brass construction. Product shall include 6-5/8" spout with slip-fit connection, and handles. Faucet trim shall be Kohler Model K-T16122-_____-_____- and valve system shall be K-300-K-NA.



PRODUCT DIAGRAM