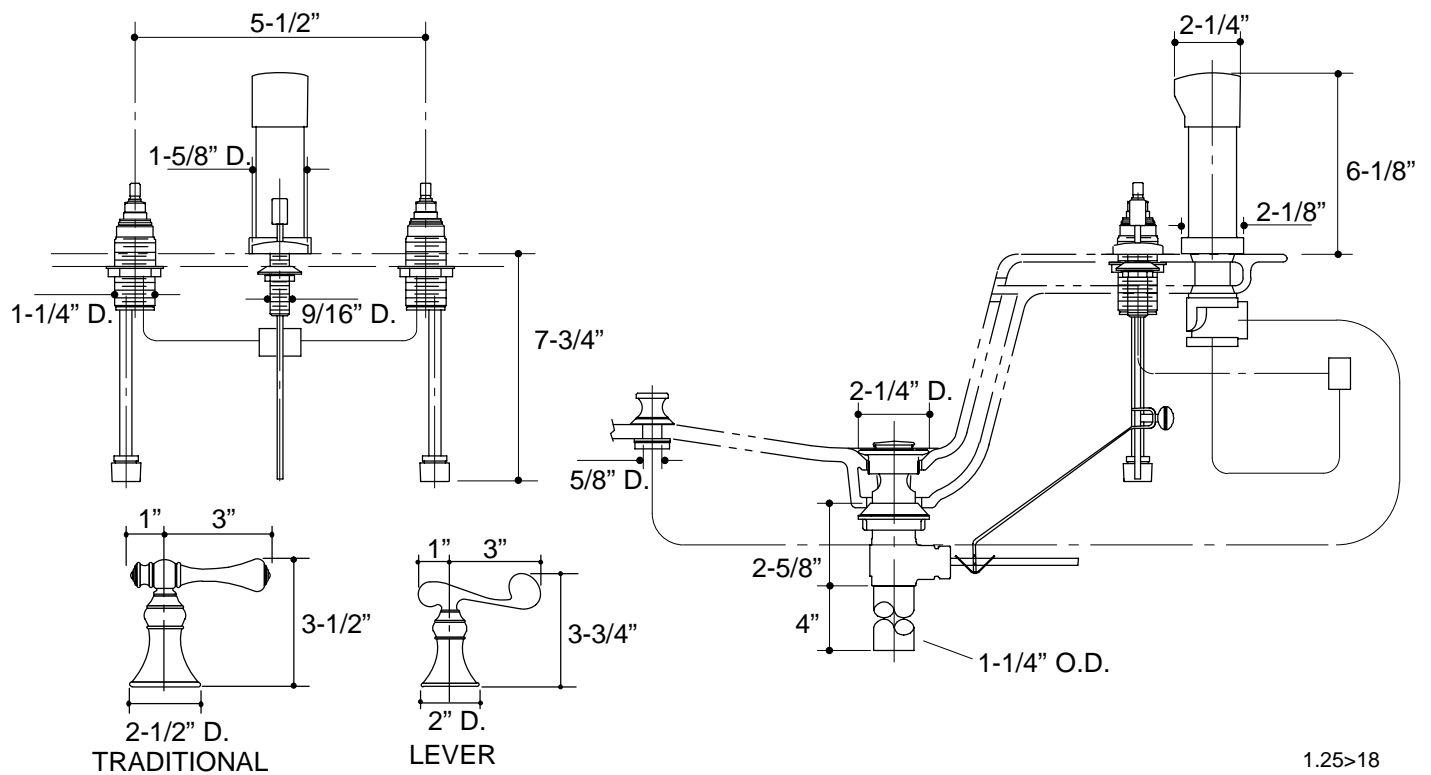


Ordering Information

Applicable bidet faucet:	
Lever handles	K-16132-4
Traditional handles	K-16132-4A
ADA	Traditional and scroll lever handles are ADA compliant



1.25>18

K-16132 Revival™ Bidet Faucet
115448-1-BA (-)

KOHLER®

NOTES: