

Ordering Information

Accessories/hardware:		
Hardwood cutting board	K-6507	optional
Wire rinse basket	K-6511	optional
Bottom basin rack	K-6011	optional

Product Information

Fixture*:		basin area	water depth
Sink		19" x 17"	8-3/8"
Disposal		9" x 16"	4-3/4"
Outlet	3-7/8" D.		
Faucet holes	2-3/8" D.		

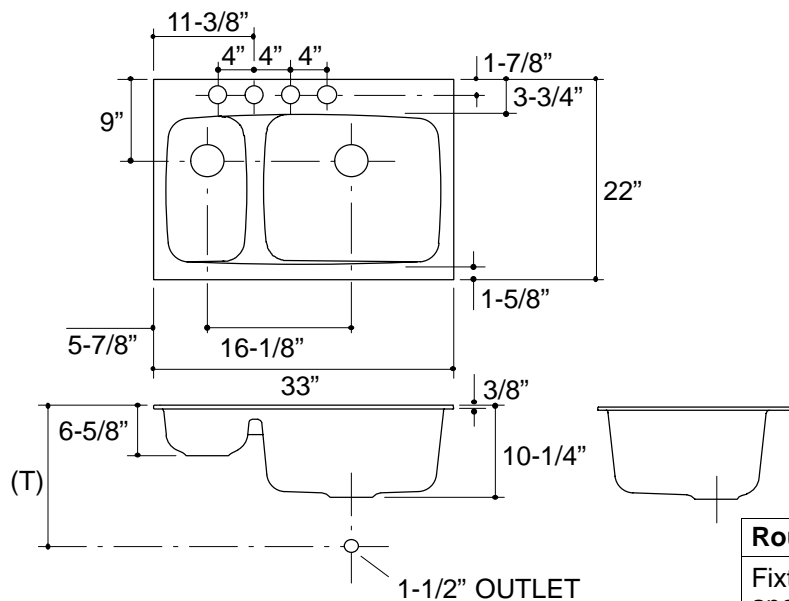
* Approximate measurements for comparison only.

Included Components:

Cutout template	115701-7
-----------------	----------

Installation Notes

Refer to installation instructions included with fixture before beginning installation.



Roughing-In Notes

Fixture dimensions are nominal and conform to tolerances in ASME/ANSI Standard A112.19.1M.

For disposal unit, consult supplier for roughing-in measurements.

(T) Drain typically 14-7/8".

.75<116