

Ordering Information

Accessories/hardware:		
Hardwood cutting board	K-6507	optional
Wire rinse basket	K-6511	optional
Bottom basin rack	K-6011	optional

Product Information

Fixture*:		basin area	water depth
Sink		483 x 432mm	213mm
Disposal		229 x 406mm	121mm
Outlet	Ø98mm		
Faucet holes	Ø60mm		

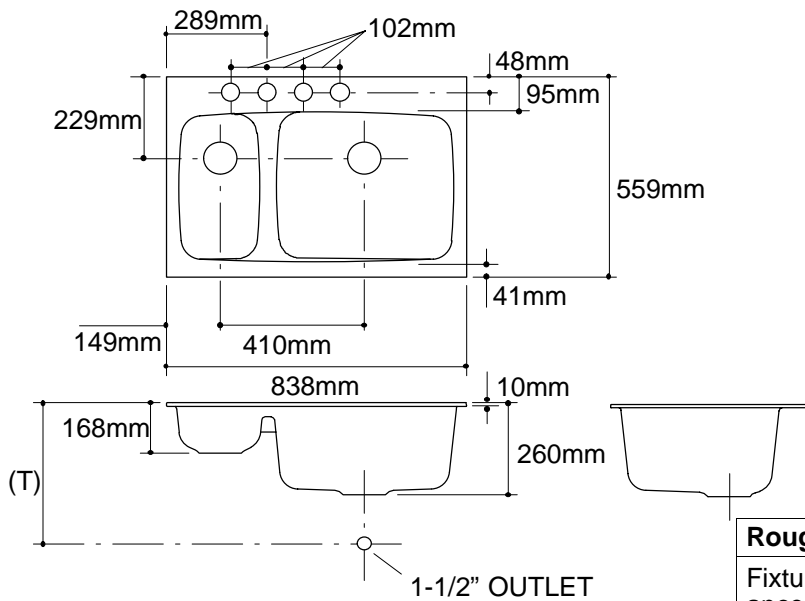
* Approximate measurements for comparison only.

Included Components:

Cutout template	115701-7
-----------------	----------

Installation Notes

Refer to installation instructions included with fixture before beginning installation.



Roughing-In Notes

Fixture dimensions are nominal and conform to tolerances in ASME/ANSI Standard A112.19.1M.

For disposal unit, consult supplier for roughing-in measurements.

(T) Drain typically 378mm.

.75<116