

Ordering Information

Applicable product:		
Single-hole lavatory	K-2241-1	shown
102mm centers lavatory	K-2241-4	not shown
203mm centers lavatory	K-2241-8	not shown
Accessories/hardware		
Trap	K-8998	recommended

Product Information

Fixture*:		basin area	water depth
Lavatory		432 x 254mm	127mm
Outlet	Ø44mm		
* Approximate measurements for comparison only.			

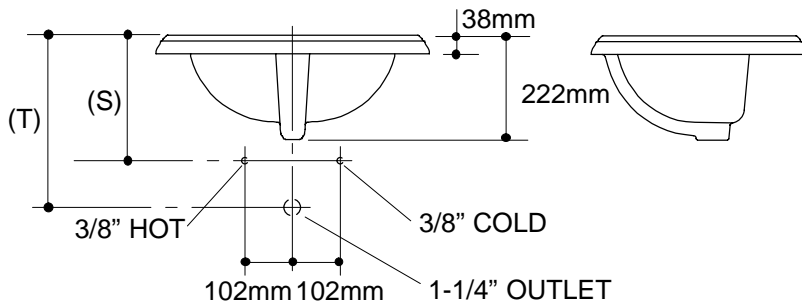
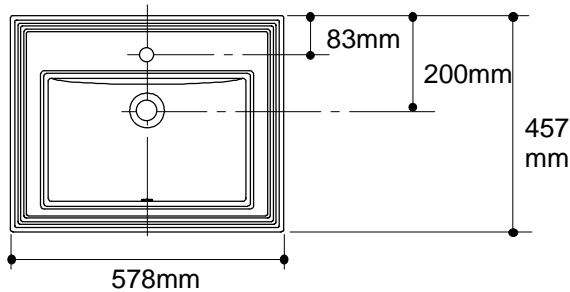
Holes	K-2241-1	K-2241-4	K-2241-8
Spout	Ø35mm	Ø30mm	Ø30mm
Faucet		Ø30mm	Ø37mm

Included Components:	
Lavatory basin, single-hole	K-2241-1
Lavatory basin, 102mm centers	K-2241-4
Lavatory basin, 203mm centers	K-2241-8
Sealant	63034
Cutout template	115707-7

Installation Notes

Refer to installation instructions included with fixture before beginning installation.

K-2241-1



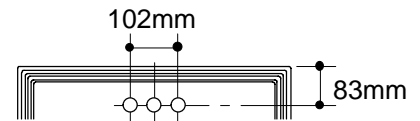
Roughing-In Notes

Fixture dimensions are nominal and conform to tolerances in ASME/ANSI Standard A112.19.2M.

(T) Pop-up drain 365mm, grid drain 343mm.

(S) 254mm (Based on 305mm riser which may require cutting).

K-2241-4



K-2241-8

