

**Ordering Information**

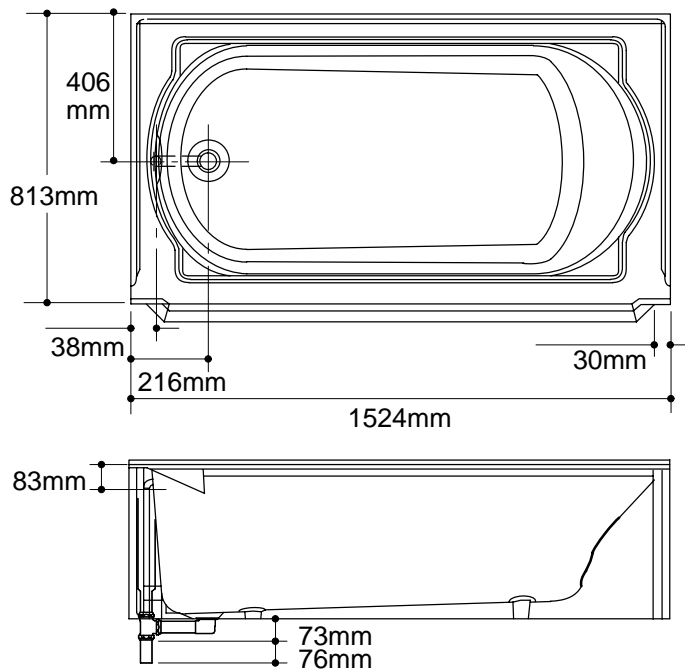
Applicable product:		
Left outlet	K-721	shown
Right outlet	K-722	not shown
Accessories/hardware:		
Drain	K-7161-AF	recommended

**Product Information**

ADA compliant.			
Fixture*:	basin area	top area	weight
Bathing well	1143 x 584mm	1372 x 635mm	159 Kg.
	water depth	capacity	
To overflow	295mm	197 litres	
* Approximate measurements for comparison only.			

**Installation Notes**

Refer to installation instructions included with fixture before beginning installation.



**Roughing-In Notes**

Fixture dimensions are nominal and conform to tolerances in ANSI/ASME Standard A112.19.1.

No change in measurements if connected with drain illustrated.

