

Ordering Information

Applicable product:		
Left corner to wall	K-1333	not shown
Right corner to wall	K-1334	shown
Accessories/hardware:		
Drain	K-7161-AF	recommended
Apron (left corner bath)	K-1343	optional
Apron (right corner bath)	K-1344	optional
End panel/apron (L corner)	K-1350	optional
End panel/apron (R corner)	K-1351	optional

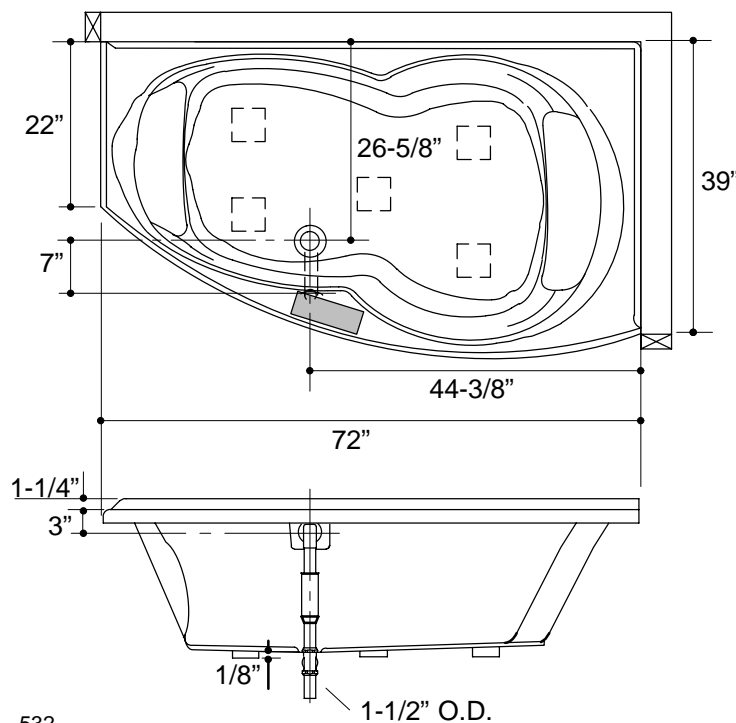
Product Information

Fixture*:	basin area	top area	weight
Bathing well	49" x 31"	65" x 38"	85 lbs.
	water depth	capacity	
To overflow	15"	90 gal.	
* Approximate measurements for comparison only.			

Installation Notes

Refer to installation instructions included with fixture before beginning installation.

If installing a rim-mount faucet, make sure there is no interference with drain overflow before drilling any holes. Consult local and national codes for minimum air gap requirements if installing a spout on the faucet deck.



532

Roughing-In Notes

Fixture dimensions are nominal and conform to tolerances in ANSI/ASME Standard Z124.1.

No change in measurements if connected with drain illustrated.

Locate studs to outside edges of unit for apron and end panel installation.

Faucet area		recommended
-------------	--	-------------

