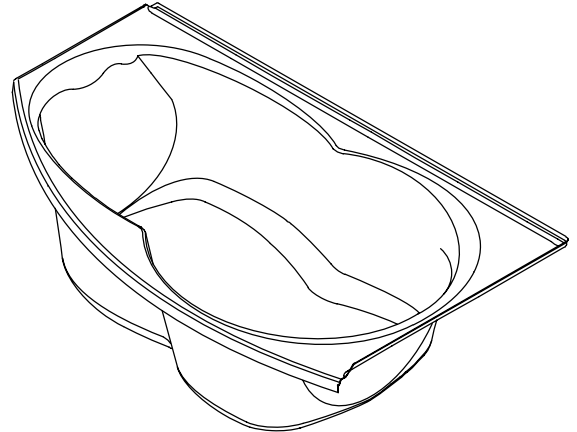


K-1333, K-1334

FEATURES

- 72" x 42" x 20"
- Left or right corner
- Acrylic



CODES/STANDARDS APPLICABLE

Specified model meets or exceeds the following:

- ANSI Z124.1
- IAPMO/UPC
- Canadian Standards Association (CSA)
- State of Massachusetts

COLORS/FINISHES

- 0 White
- Other Refer to Fixtures Price Book for additional colors

Accessories:

- CP Polished Chrome
- PB Polished Brass
- Other Refer to Price Book for additional finishes

SPECIFIED MODEL:

Model	Description	Colors/Finishes	
K-1333	Left corner to wall bath	<input type="checkbox"/> 0 White	<input type="checkbox"/> Other_____
K-1334	Right corner to wall bath	<input type="checkbox"/> 0 White	<input type="checkbox"/> Other_____

Recommended Accessories				
K-7161-AF	Drain	<input type="checkbox"/> CP	<input type="checkbox"/> PB	<input type="checkbox"/> Other_____
Optional Accessories				
K-1343	Apron (left corner bath)	<input type="checkbox"/> 0 White	<input type="checkbox"/> Other_____	
K-1344	Apron (right corner bath)	<input type="checkbox"/> 0 White	<input type="checkbox"/> Other_____	
K-1350	Apron/end panel (left corner bath)	<input type="checkbox"/> 0 White	<input type="checkbox"/> Other_____	
K-1351	Apron/end panel (right corner bath)	<input type="checkbox"/> 0 White	<input type="checkbox"/> Other_____	

PRODUCT SPECIFICATION:

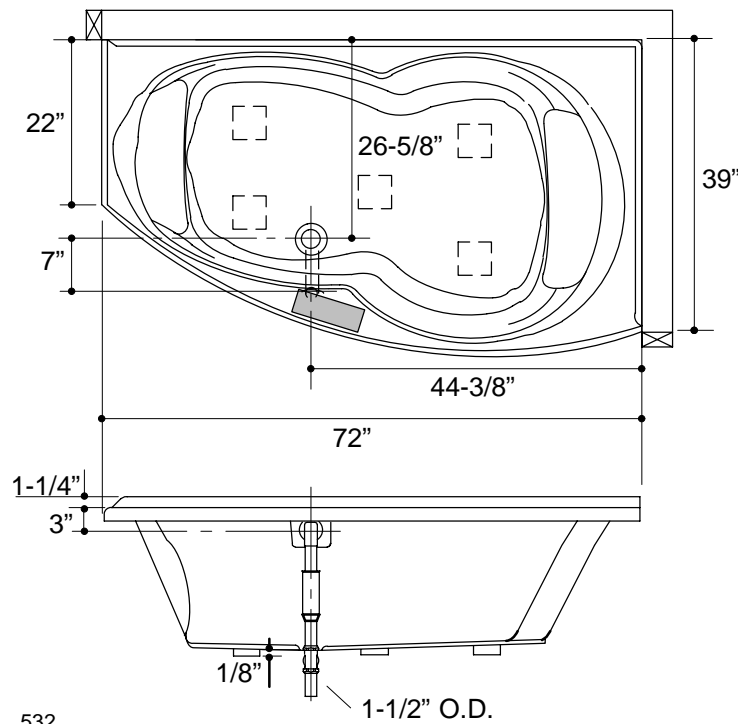
The bath shall be 72" in length, 42" in width, and 20" in height. Bath shall be made of acrylic. Bath shall be made to fit left or right corner. Bath shall be Kohler Model K-_____-_____.

PRODUCT INFORMATION

Fixture*:	basin area	top area	weight
Bathing well	49" x 31"	65" x 38"	85 lbs.
	water depth	capacity	
To overflow	15"	90 gal.	
* Approximate measurements for comparison only.			

INSTALLATION NOTES

If installing a rim-mount faucet, make sure there is no interference with drain overflow before drilling any holes. Consult local and national codes for minimum air gap requirements if installing a spout on the faucet deck.

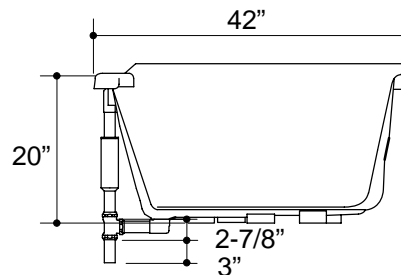


Roughing-In Notes

No change in measurements if connected with drain illustrated.

Locate studs to outside edges of unit for apron and end panel installation.

Faucet area		recommended
-------------	--	-------------



PRODUCT DIAGRAM