

Ordering Information

Applicable product:		
Left corner to wall	K-1335-H	not shown
Right corner to wall	K-1336-H	shown
Accessories/hardware:		
Jet trim kit	K-9697	required
Drain	K-7161-AF	recommended
Apron (left corner bath)	K-1343	recommended
Apron (right corner bath)	K-1344	recommended
End panel/apron (L corner)	K-1350	optional
End panel/apron (R corner)	K-1351	optional

Requirements Electrical Service

Dedicated circuit required, protected with Class A Ground-Fault Circuit-Interrupter (GFCI):	
Pump/control	120 V., 20 A, 60 Hz

Product Information

Fixture*:	basin area	top area	weight
Bathing well	49" x 31"	65" x 38"	115 lbs.
	water depth	capacity	
To overflow	15"	90 gal.	

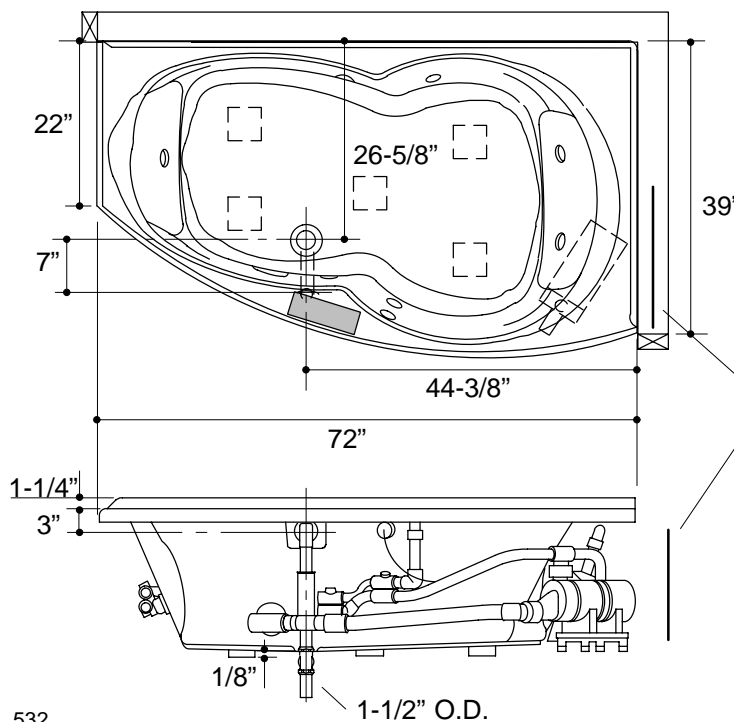
* Approximate measurements for comparison only.

Pump	high HP	low HP	V	Hz	A
2-speed	1	1/8	120	60	16.5

Installation Notes

Refer to installation instructions included with fixture before beginning installation.

If installing a rim-mount faucet, make sure there is no interference with drain overflow and circulating system before drilling any holes. Consult local and national codes for minimum air gap requirements if installing a spout on the faucet deck. Each pump is supplied with a grounding type plug-in cord. Locate the outlet behind the whirlpool, and within 24" of the pump.



Roughing-In Notes

Fixture dimensions are nominal and conform to tolerances in ANSI/ASME Standard Z124.1.

No change in measurements if connected with drain illustrated.

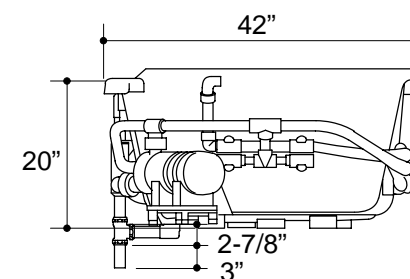
Minimum access panel (if apron is not used):

Pump/control	20" W x 15" H	required
--------------	---------------	----------

Locate studs to outside edges of unit for apron and end panel installation.

Faucet area		recommended
-------------	--	-------------

PUMP/CONTROL ACCESS (IF APRON IS NOT USED)



532