

K-1335-H, K-1336-H

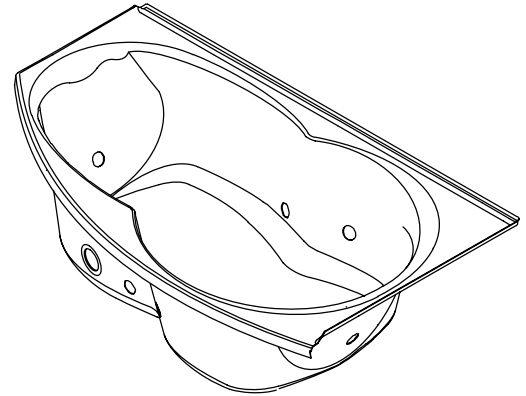
FEATURES

- 72" x 42" x 20"
- Acrylic
- Left or right corner
- System II - 1 hp 2 speed pump with integral heater & electronic switch
- 7 Flexjets
- UL Listed
- LESS ALL TRIM

CODES/STANDARDS APPLICABLE

Specified model meets or exceeds the following:

- ANSI Z124.1
- ASME/ANSI A112.19.7M
- IAPMO/UPC
- Underwriters Laboratories (UL)
- State of Massachusetts



COLORS/FINISHES

- 0 White
- Other Refer to Fixtures Price Book for additional colors

Accessories:

- CP Polished Chrome
- PB Polished Brass
- Other Refer to Price Book for additional finishes

SPECIFIED MODEL:

Model	Description	Colors/Finishes	
K-1335-H	Left corner to wall whirlpool	<input type="checkbox"/> 0 White	<input type="checkbox"/> Other_____
K-1336-H	Right corner to wall whirlpool	<input type="checkbox"/> 0 White	<input type="checkbox"/> Other_____

Required Accessories			
K-9697	Jet trim kit	<input type="checkbox"/> CP	<input type="checkbox"/> PB <input type="checkbox"/> Other_____
Recommended Accessories			
K-7161-AF	Drain	<input type="checkbox"/> CP	<input type="checkbox"/> PB <input type="checkbox"/> Other_____
Optional Accessories			
K-1343	Apron (left corner bath)	<input type="checkbox"/> 0 White	<input type="checkbox"/> Other_____
K-1344	Apron (right corner bath)	<input type="checkbox"/> 0 White	<input type="checkbox"/> Other_____
K-1350	Apron/end panel (left corner bath)	<input type="checkbox"/> 0 White	<input type="checkbox"/> Other_____
K-1351	Apron/end panel (right corner bath)	<input type="checkbox"/> 0 White	<input type="checkbox"/> Other_____

PRODUCT SPECIFICATION:

The whirlpool shall be 72" in length, 42" in width, and 20" in height. Whirlpool shall be made of acrylic. Whirlpool shall be made to fit left or right corner. Whirlpool shall have System II, with 7 Flexjets, 1 hp 2 speed pump with integral heater, and electronic switch. Whirlpool shall be UL Listed. Whirlpool shall be less all trim. Whirlpool shall be Kohler Model K-_____-H-_____.

REQUIRED ELECTRICAL SERVICE

Dedicated circuit required, protected with Class A Ground-Fault Circuit-Interrupter (GFCI):	
Pump/control	120 V., 20 A, 60 Hz

PRODUCT INFORMATION

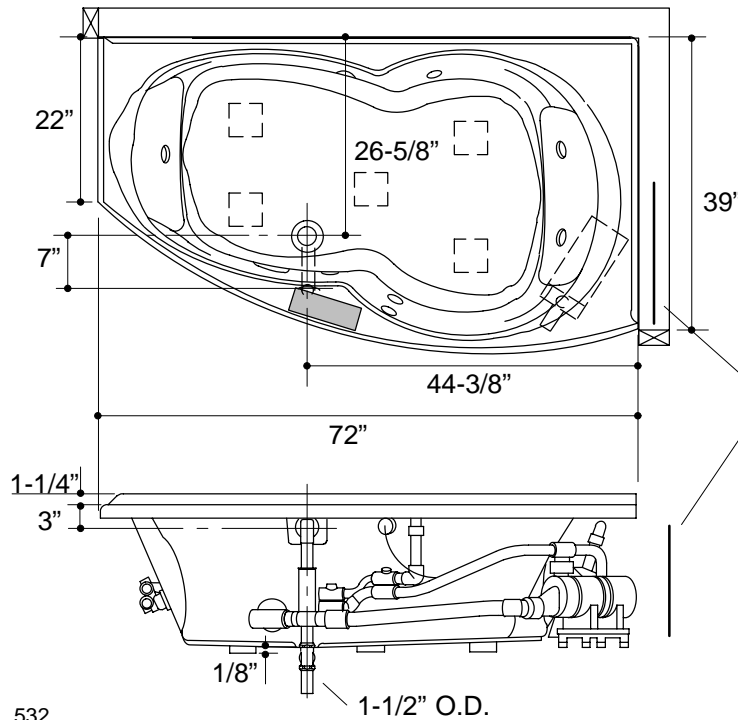
Fixture*:	basin area	top area	weight
Bathing well	49" x 31"	65" x 38"	115 lbs.
	water depth	capacity	
To overflow	15"	90 gal.	

* Approximate measurements for comparison only.

Pump	high HP	low HP	V	Hz	A
2-speed	1	1/8	120	60	16.5

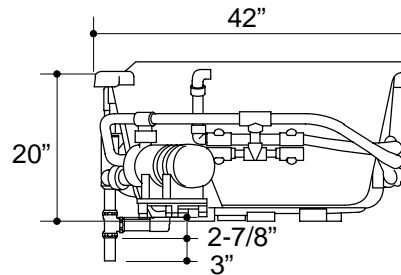
INSTALLATION NOTES

If installing a rim-mount faucet, make sure there is no interference with drain overflow and circulating system before drilling any holes. Consult local and national codes for minimum air gap requirements if installing a spout on the faucet deck. Each pump is supplied with a grounding type plug-in cord. Locate the outlet behind the whirlpool, and within 24" of the pump.



Roughing-In Notes		
No change in measurements if connected with drain illustrated.		
Minimum access panel (if apron is not used):		
Pump/control	20" W x 15" H	required
Locate studs to outside edges of unit for apron and end panel installation.		
Faucet area		recommended

PUMP/CONTROL ACCESS (IF APRON IS NOT USED)



532

PRODUCT DIAGRAM