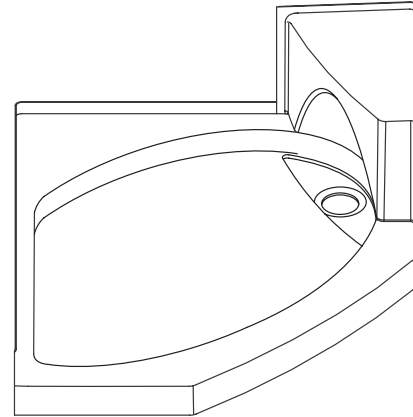


36" X 42" NEO-ANGLE RECEPTOR WITH BENCH

K-9561, K-9562

FEATURES

- 36" x 42" x 17-7/8" (bench height)
- Acrylic
- Left or right corner
- For installation adjacent to Symbio™ bath or whirlpool
- Molded-in floor pattern



CODES/STANDARDS APPLICABLE

Specified model meets or exceeds the following:

- ANSI Z124.2
- IAPMO/UPC
- Canadian Standards Association (CSA)
- State of Massachusetts

COLORS/FINISHES

- 0 White
- Other Refer to Fixtures Price Book for additional colors

Accessories:

- CP Polished Chrome
- PB Polished Brass
- SH Bright Silver
- BH Bright Brass
- 0 White
- Other Refer to Faucets Price Book for additional finishes

SPECIFIED MODEL:

Model	Description	Colors/Finishes	
K-9561	Left corner to wall receptor (bench and drain on right)	<input type="checkbox"/> 0 White	<input type="checkbox"/> Other_____
K-9562	Right corner to wall receptor (bench and drain on left)	<input type="checkbox"/> 0 White	<input type="checkbox"/> Other_____

Recommended Accessories				
K-9134	Drain	<input type="checkbox"/> CP	<input type="checkbox"/> PB	<input type="checkbox"/> Other_____
K-701639	Focal neo-angle shower enclosure (for K-9561)*	<input type="checkbox"/> SH	<input type="checkbox"/> BH	<input type="checkbox"/> 0 White
K-701640	Focal neo-angle shower enclosure (for K-9562)*	<input type="checkbox"/> SH	<input type="checkbox"/> BH	<input type="checkbox"/> 0 White

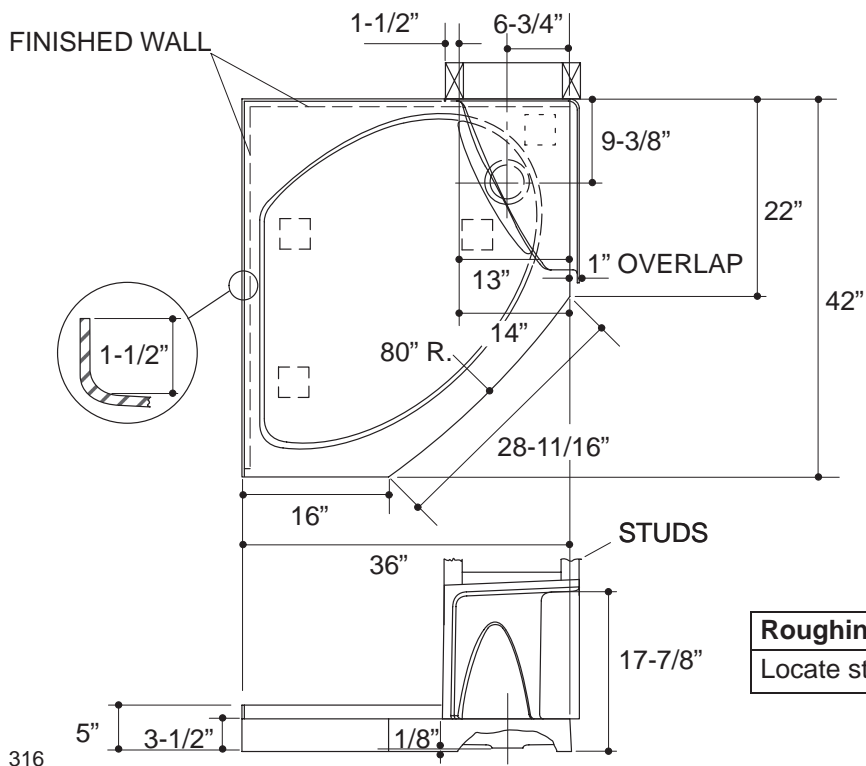
*Refer to Fixtures Price Book for glass options.

PRODUCT SPECIFICATION:

The receptor with bench shall be 36" in length, 42" in width, and 17-7/8" in height. Receptor shall be made of acrylic. Receptor shall be made to fit left or right corner. Receptor with bench must be installed adjacent to Symbio™ bath or whirlpool. Receptor shall have molded-in floor pattern. Receptor shall be Kohler Model K-_____-_____.

PRODUCT INFORMATION

Fixture:	
Weight:	45 lbs.
Drain Outlet:	3-3/8" D.
Configuration:	2-piece



316

PRODUCT DIAGRAM